

MISCELLANEOUS

SOLENOID CONTROLLERS

What do they do?

These Units were designed to switch a Load (Solenoid) for 1 – 2 seconds each time the Ignition is switched on.

The Units will also switch the Load if the “Fault” input is switched positive.

Once switched the output will remain so until the Ignition is switched off.

The fault input has a short delay of less than 1 second to prevent false switching.

Application

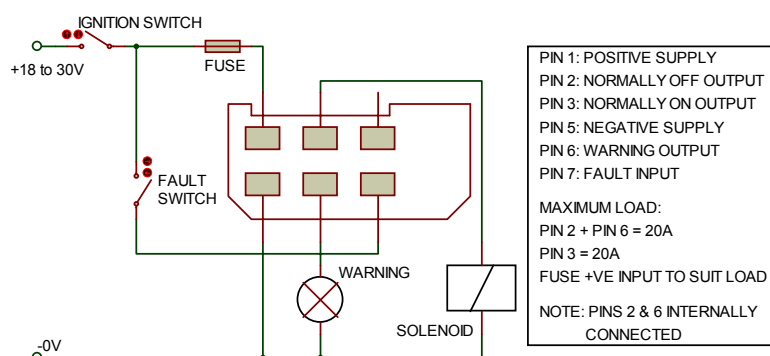
These Units can be used to momentarily operate any electrical / electronic device which is infrequently used such as a Safety Device* / Water, Gas or Air Valve, when the Vehicle is switched on.

The Unit causes the Solenoid Valve to pulse for 1 – 2 seconds ensuring it is kept in good working order until it is required.

The Unit can also be used as a Self Test device for items that are infrequently used.

*Ideal for:

- Safety Valve which is used to isolate a **Water Supply** when a leak occurs
- Safety Valve which is used to isolate a **Gas Supply** when a leak occurs
- Safety Valve which is used to isolate a **Compressed Air Supply** when a leak occurs
- Safety Valve which is used to isolate an **Oil Supply** when a leak occurs
- Safety Valve which is used to isolate an **Acid Supply** when a leak occurs
- Safety Valve which is used to isolate a **Chemical Supply** when a leak occurs



Part Number		E814	E815
Description		24V Solenoid Controller	12V Solenoid Controller
Supply Voltage		18V to 30V	9V to 15V
Supply Current	Outputs Normal, No Load	< 7mA	< 7mA
	Outputs Switched, No Load	< 110mA	< 200mA
Output Current Pin 2 + Pin 6		20A	20A
Output Current Pin 3		20A	20A
Fault Input current		V in = 30V 3mA	V in = 15V 1.5mA
Fault Input Voltage	Output Will Not Switch	< 3.5V	< 3.5V
	Output Must Switch	> 4.5V	> 4.5V
Case Style		Din Pack + Vertical Bracket	Din Pack + Vertical Bracket
Dimensions		94 x 61 x 45 mm	94 x 61 x 45 mm
Weight		85g	85g
Fixing		1 x 5mm Hole	1 x 5mm Hole
Case Material		Black ABS	Black ABS
Bracket Material		Galvanised Steel	Galvanised Steel