

TEMPERATURE WARNING MONITORS

THERMALARMS

This range of Electronic Control Units monitor the Temperature of the Engine Oil / Water Etc, via a Sensor Probe located in a suitable position, giving immediate warning of overheating.

The units can be supplied with flashing or continuous light output.

An audible warning output facility is incorporated in all units.

The units are suitable for isolated or non – isolated wiring systems.

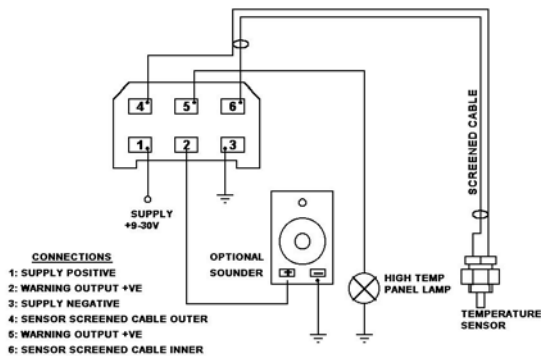
Flat Pack units are fully encapsulated with a flame retardant resin system to cope with harsh environments.



SPECIFICATION

VOLTAGE	9 – 30 VOLTS
DIMENSIONS	97mm X 81mm X 21mm
WEIGHT	135g
FIXING	2 POINT FIXING - 5mm HOLES (65mm FIXING CENTRES)

ASSOCIATED COMPONENTS



TEMPERATURE PROBE	VARIOUS THREAD SIZES TO SUIT DIFFERENT VEHICLE MAKES
AUDIBLE WARNING DEVICES	VARIOUS TYPES
WARNING LAMPS	12V OR 24V AS REQUIRED

PART NO	DESCRIPTION	SWITCHING	POINT	SIGNAL	SELF TEST
E022-93	891-93	ON @ 93°C		CONTINUOUS	✓
E022-96	891-96	ON @ 96°C		CONTINUOUS	✓
E022-101	891-101	ON @ 101°C		CONTINUOUS	✓
E022-105	891-105	ON @ 105°C		CONTINUOUS	✓
E023-93	892-93	ON @ 93°C		FLASHING	✓
E023-96	892-96	ON @ 96°C		FLASHING	✓
E023-101	892-101	ON @ 101°C		FLASHING	✓
E023-105	892-105	ON @ 105°C		FLASHING	✓
E022A	891 / 82 – 70	ON @ 82°C	OFF @ 70°C	CONTINUOUS	✓
E022B	891 / 108 – 98	OFF @ 108°C	OFF @ 98°C	CONTINUOUS	✓
E022C	891 / 150 – 148	OFF @ 150°C	OFF @ 148°C	CONTINUOUS	✓
E022D	891 / 110 – 100	OFF @ 110°C	OFF @ 100°C	CONTINUOUS	✓
E022E	891 / 92 – 86	OFF @ 92°C	OFF @ 86°C	CONTINUOUS	✓
E022F	891 / 82 – 70	OFF @ 82°C	OFF @ 70°C	CONTINUOUS	x

TEMPERATURE WARNING MONITORS

892-M4 (E195) TEMPERATURE MONITOR (EURO GAUGE)

This Electronic Control Unit monitors the Temperature of the Engine Oil / Water Etc, via a Sensor Probe located in a suitable position.

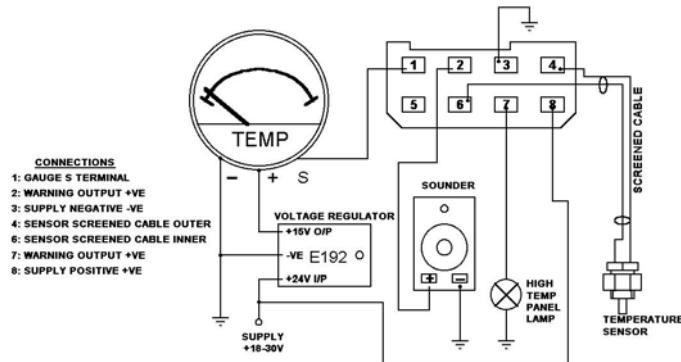
The Engine Temperature is indicated via a Temperature Gauge. In addition the unit gives immediate warning of over heating.

The unit is supplied with flashing light output

An audible warning output facility is incorporated in all units.

The units are suitable for isolated wiring systems.

SWITCHING POINT	SIGNAL	SELF TEST	VOLTAGE	DIMENSIONS	WEIGHT	FIXING
WARNING @ 93°C	FLASHING	✓	18 – 30 V	94mm X 61mm X 36mm	70g	1 POINT FIXING 5mm HOLE



TEMPERATURE PROBES

This comprehensive range of Probes has been designed for the P.S.V., H.G.V., Military and many other Markets.

They have been specifically designed to work in conjunction with our Temperature Warning Monitors.

They are robust, easy to fit and have a proven track record.

A range of stock sizes is available to suit most applications.

Fitting Accessories are also available.



PART NO	DESCRIPTION	THREAD SIZES
E061	892-PA	1/8" BSP
E114	892-PB	1/8" NPTF
E151	892-PC	1/4" BSP
E170	892-PD	1/2" NPTF
E064	892-PE	3/8" BSP
E063	892-PF	1/2" BSP
E062	892-PG	22 X 1.5mm
E065	892-PH	18 X 1.0mm
E075	892-PI	3/8" NPTF

893 (-40°C) CRYOLARM

THIS UNIT HAS BEEN DESIGNED IN SUCH A WAY THAT IT CAN BE USED WITH VIRTUALLY ALL LPG GAS ENGINES.

THE CRYOLARM'S FUNCTION IS TO MONITOR THE FUEL SUPPLY LINE AND IF IT DETECTS THE PRESENCE OF LIQUID GAS (-40°C) VIA THE CRYOLARM PROBE, IT PRODUCES WARNING AND SHUT DOWN SIGNALS.

THE CRYOLARM PROBE CAN BE SUPPLIED WITH A NUMBER OF DIFFERENT THREAD SIZES TO SUIT MOST APPLICATIONS.

THE CRYOLARM IS RFI AND EMC APPROVED AND HAS A PROVEN TRACK RECORD.

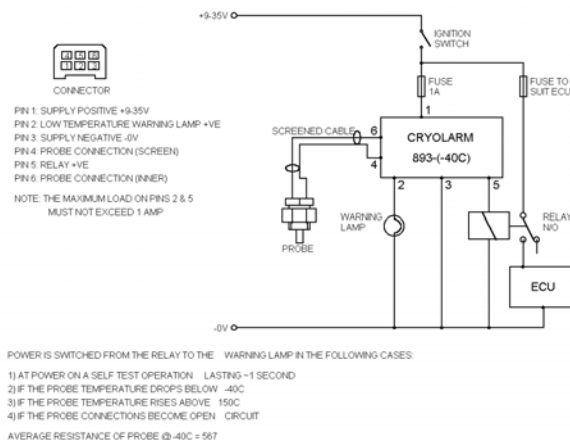
SPECIFICATION	
CRYOLARM 893 (-40°C) – PART NO: E659	
VOLTAGE:	9 – 35 VOLTS
DIMENSIONS:	97mm X 81mm X 21mm
WEIGHT:	139g
FIXING:	2 POINT FIXING - 5mm HOLES (65mm FIXING CENTRES)
FULLY ENCAPSULATED	
METALLISED COATING	
AUTOMATIC SELF TEST AT POWER ON	
CRYOLARM PROBE THREAD SIZES AVAILABLE:	
1/8" BSP / 1/8" NPTF / 1/4" BSP / 1/2" NPTF / 3/8" BSP / 1/2" BSP / 22 X 1.5mm / 18 x 1mm / 3/8" NPTF	



CRYOLARM



CRYOLARM PROBE



EURO MANUFACTURING AND MARKETING LIMITED
 Euro House, 20 High Street, Wem, Shropshire SY4 5DL, England.
 Tel: +44 (0) 1939 235073 Fax: +44 (0) 1939 235074
 Email: sales@eurogroup.gb.com Web Site: www.eurogroup.gb.com

E892 AIR CONDITIONING FAN CONTROL UNIT

This Unit was specially designed for large Trailers carrying Racing Pigeons to ensure that the birds are kept at a comfortable temperature at all times.

The Unit controls the temperature within the Trailer by automatically switching on a total of 8 Fans at a pre-determined (factory set) temperature plus an additional 2 Fans at the operators discretion.

- Fans 5 + 6: Automatically switched on when the Temperature within the Trailer reaches 15°C
- Fans 2 + 9: Automatically switched on when the Temperature within the Trailer reaches 19°C
- Fans 4 + 7: Automatically switched on when the Temperature within the Trailer reaches 24°C
- Fans 1 + 10: Automatically switched on when the Temperature within the Trailer reaches 28°C
- Fans 3 + 8: Switched on at the operator's discretion

The Unit is supplied with a special Temperature Probe to work in conjunction with the Fan Controller.

To see pictures of the Racing Pigeon Trailer and read all about the project, you can visit the National Flying Club website at:- <http://www.nationalflyingclub.co.uk/Trans2.asp>

This Unit could be adapted to suit virtually any Trailer / Cab requirements to suit your bespoke needs.



PART NO:	E892
DESCRIPTION	AIR CONDITIONING FAN CONTROL UNIT
SUPPLY VOLTAGE	24V DC
CASE STYLE	GREY ABS CASE (IP65 RATED)
DIMENSIONS	220mm X 170mm X 120mm DEEP

EURO MANUFACTURING AND MARKETING LIMITED
Euro House, 20 High Street, Wem, Shropshire SY4 5DL, UK
Tel.: +44 (0) 1939 235 073 Fax.: +44 (0) 1939 235 074
Email: sales@eurogroup.gb.com Web Site: www.eurogroup.gb.com