

# E1062 12AMP BATTERY CHARGER

## 12V – 12V (12.5V Turn On)

12V TO 12V BATTERY CHARGER 12AMP  
HIGH SPECIFICATION  
MANUFACTURED IN THE UK

- PART NO: E1062
- TYPE: SWITCH MODE BATTERY CHARGER
- Maximum Output (Charging) Current: 12A (PVin = 13V)
- Output Voltage (V-out): 14.0V ± 0.1V
- Power Input Voltage (PVin): 11V to 14V
- Control Input Voltage (CVin): Charger Enabled: >12.8V
- Hysteresis: 0.1V
- Control Input Current: 50µA
- Battery Current Drain: 250µA (Charger Disabled)
- Overload Protection: Yes
- Thermal shutdown: Yes
- Polarity Protection: External Fuses Input = 15A / Output = 15A
- Connections: Flying leads: Red = Positive Input  
Black = Negative Input, Output and Control  
Blue = Positive Output  
Pink = Positive Control
- Physical Dimensions: 215 x 71 x 55mm
- Mountings: 4 x Ø 4.5mm Holes
- Hole Centres: 198 x 40mm
- Construction: Anodised Cooling Profile



**MODELS ALSO AVAILABLE: 24AMP / 36AMP / 48AMP / 60AMP / 72AMP**

**WHY NOT VISIT OUR WEBSITES TO VIEW THE OTHER PRODUCTS WE MANUFACTURE:**

<http://www.battery-management-voltage-converter.com>

This site covers our:

- Battery Management Systems
- Split Charge Controllers
- DC-DC Battery Chargers
- DC-DC Voltage Converters
- Trailer Voltage Converters
- Battery Status Indicators
- Voltage Sensitive Switches.

<http://www.eurogroup-gb.com>

This site covers our Range of:

- Water Level Monitors
- Water Level Probes
- Temperature Monitors
- Temperature Probes
- Air Conditioning Fan Control Units
- Vehicle Flashers and Interrupters
- Light Control Units
- Oil Level Monitors
- Oil Level Probes
- Hydraulic Control Units
- Audible Warning Devices
- Reversing Alarms
- Timers
- Vehicle Safety and Security Units
- Digital Speed Switches
- Solenoid Controllers
- Relays, Connectors, Lamps, Switches
- Earth Straps
- Looms and Wiring Harnesses
- Transformer and Coil Winding
- Mechanical Assembly
- Special Purpose Electrical / Electronic Assembly
- Encapsulation and Formal Coating
- Vacuum Formed Parts
- Printed Circuit Board Assembly

**EURO MANUFACTURING AND MARKETING LIMITED**

**Euro Works, 11-13 High Street, Wem, Shropshire SY4 5AA, England.**

**Tel: +44 (0) 1939 235073**

**Fax: +44 (0) 1939 235074**

**Email: [sales@eurogroup-gb.com](mailto:sales@eurogroup-gb.com) OR [sales@battery-management-voltage-converter.com](mailto:sales@battery-management-voltage-converter.com)**

**Web Site: [www.eurogroup-gb.com](http://www.eurogroup-gb.com) OR [www.battery-management-voltage-converter.com](http://www.battery-management-voltage-converter.com)**

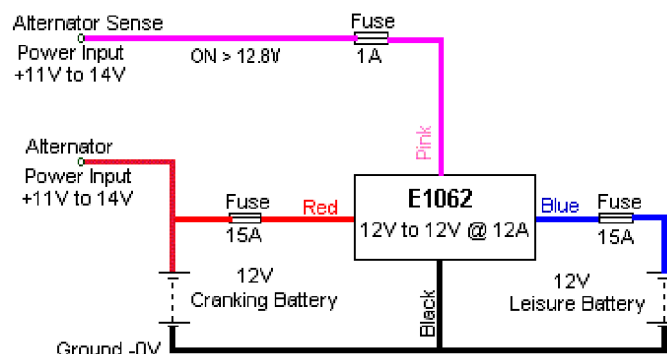
**BEFORE INSTALLATION YOU NEED TO PURCHASE:**  
2 X 15A AUTOMOTIVE BLADE FUSE (COLOUR: BLUE)  
1 X 1A AUTOMOTIVE BLADE FUSE (COLOUR: BLACK)  
3 X INLINE FUSE HOLDER (TO TAKE BLADE FUSES)

The Charger starts when the voltage reaches approximately 12.5V.

**Wired as a fully automatic Charger**

The Pink Control Wire is wired directly to the +ve Connection of the 12V Cranking (Donor) Battery to switch the Charger on and off automatically. In this case the Control Wire senses the 12V Cranking (Donor) Battery Voltage and switches the Charger on only when the 12V Cranking (Donor) Battery is being charged.

The Unit automatically controls the maximum charge into the 12V Leisure (Recipient) Battery preventing it from becoming over-charged / damaged and prevents the 12V Cranking Battery (Donor Battery) from becoming flat / exhausted.

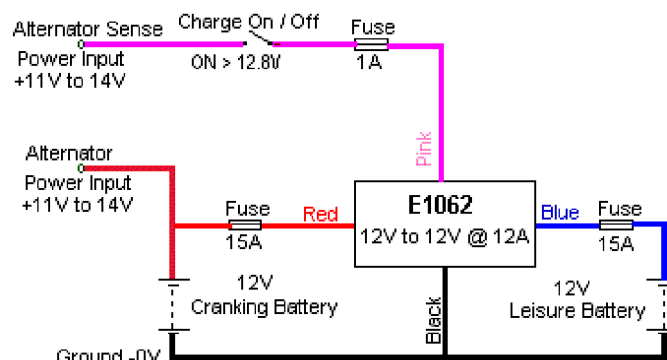


**Wired as a manually operated Charger**

The Pink Control Wire is wired via a Switch to the +ve Connection of the 12V Cranking (Donor) Battery to switch the Charger on and off manually.

In this case the Operator can control when the Battery Charger is switched on or off.

If left on, the Unit will automatically control the maximum charge into the 12V Leisure (Recipient) Battery preventing it from becoming over-charged / damaged and prevent the 12V Cranking Battery (Donor Battery) from becoming flat / exhausted.



For O.E.M. Customers, Leads can be terminated to suit your requirements

This Battery Charger has been designed using a building block system to obtain the power needed to suit your requirements

This Unit can be provided with a Charging Indicator.

To request a Charging Indicator, please add an "L" to the Part Number, i.e.: E1062-L

IF IN DOUBT, PLEASE CONSULT AN AUTOMOTIVE ELECTRICIAN OR TELEPHONE US ON 01939 235073

---

**EURO MANUFACTURING AND MARKETING LIMITED**

Euro Works, 11-13 High Street, Wem, Shropshire SY4 5AA, England.

Tel: +44 (0) 1939 235073

Fax: +44 (0) 1939 235074

Email: [sales@eurogroup-gb.com](mailto:sales@eurogroup-gb.com) OR [sales@battery-management-voltage-converter.com](mailto:sales@battery-management-voltage-converter.com)

Web Site: [www.eurogroup-gb.com](http://www.eurogroup-gb.com) OR [www.battery-management-voltage-converter.com](http://www.battery-management-voltage-converter.com)

---