

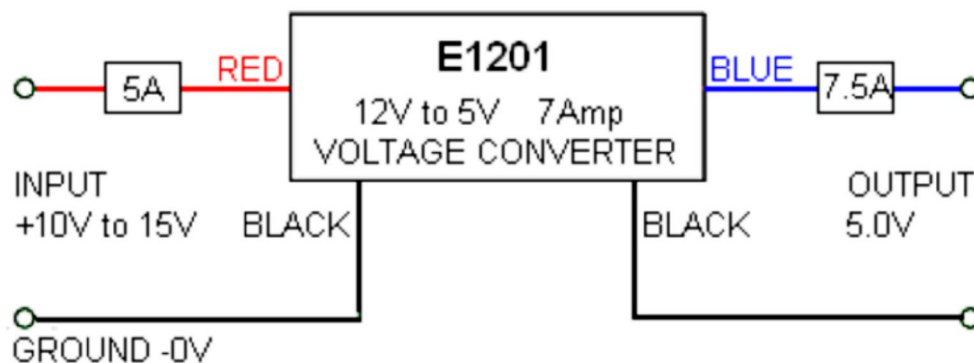
# E1201 7AMP VOLTAGE CONVERTER 12V – 5V

12V – 5V VOLTAGE CONVERTER 7AMP  
HIGH SPECIFICATION  
MANUFACTURED IN THE UK



- PART NO: E1201
- TYPE: SWITCH MODE STEP DOWN VOLTAGE CONVERTER
- RATING: 7 AMP
- MAX CONTINUOUS O/P CURRENT: 7 AMP
- PEAK OUTPUT CURRENT: 10 AMP
- INPUT VOLTAGE: 10 – 15V DC
- OUTPUT VOLTAGE: 5.05V DC  $\pm 0.1V$
- OVERLOAD PROTECTION: YES
- OUTPUT PROTECTED: YES
- POLARITY PROTECTED: EXTERNAL FUSE
- OPERATING TEMPERATURE: - 40 DEG.C TO + 70 DEG.C
- HIGH TEMP PROTECTED: YES
- SHORT CIRCUIT PROTECTION: YES
- OVER VOLTAGE PROTECTION: YES
- EFFICIENCY: > 80%
- LOAD REGULATION: 0.1V
- DIMENSIONS: 105mm X 70mm X 53mm
- FIXING CENTRES: 89mm X 40mm (4 HOLE FIXING)
- HOLE SIZE: 4.5mm
- CONSTRUCTION: ANODISED COOLING PROFILE

OEM AND TRADE ENQUIRIES WELCOME



BLACK CABLES ARE INTERNALLY CONNECTED

**EURO MANUFACTURING AND MARKETING LIMITED**

Euro Works, 11-13 High Street, Wem, Shropshire SY4 5AA, England.

Tel: +44 (0) 1939 235073

Fax: +44 (0) 1939 235074

Email: [sales@eurogroup-gb.com](mailto:sales@eurogroup-gb.com) OR [sales@battery-management-voltage-converter.com](mailto:sales@battery-management-voltage-converter.com)

Web Site: [www.eurogroup-gb.com](http://www.eurogroup-gb.com) OR [www.battery-management-voltage-converter.com](http://www.battery-management-voltage-converter.com)

**BEFORE INSTALLATION YOU NEED TO PURCHASE:**

- 1 X 5A AUTOMOTIVE BLADE FUSE
- 1 X 7.5A AUTOMOTIVE BLADE FUSE
- 2 X INLINE FUSE HOLDER (TO TAKE BLADE FUSES)

**INSTALLATION INSTRUCTIONS:**

1. CONNECT THE BLUE OUTPUT LEAD TO THE +VE CONNECTION ON YOUR 5V EQUIPMENT (FITTING 1 X INLINE FUSE HOLDER WITH 7.5A BLADE FUSE BETWEEN THE VOLTAGE CONVERTER AND THE 5V EQUIPMENT AS SHOWN ON WIRING DIAGRAM SUPPLIED WITH UNIT)
2. CONNECT ONE BLACK LEAD TO THE -VE CONNECTION OF THE 5V EQUIPMENT
3. CONNECT ONE BLACK LEAD TO GROUND, IE: THE VEHICLE CHASSIS OR TO THE -VE CONNECTION OF THE 12V SUPPLY / BATTERY
4. CONNECT THE RED INPUT LEAD TO YOUR 12V +VE SUPPLY / BATTERY (FITTING 1 X INLINE FUSE HOLDER WITH 5A BLADE FUSE BETWEEN THE VOLTAGE CONVERTER AND THE +VE CONNECTION OF YOUR 12V SUPPLY AS SHOWN ON WIRING DIAGRAM SUPPLIED WITH UNIT)

IF IN DOUBT, PLEASE CONSULT AN AUTOMOTIVE ELECTRICIAN OR TELEPHONE US ON 01939 235073

---

**WHY NOT VISIT OUR WEBSITES TO VIEW THE OTHER PRODUCTS WE MANUFACTURE:**

<http://www.battery-management-voltage-converter.com>

This site covers our:

- Battery Management Systems
- Split Charge Controllers
- DC-DC Battery Chargers
- DC-DC Voltage Converters
- Trailer Voltage Converters
- Battery Status Indicators
- Voltage Sensitive Switches.

<http://www.eurogroup-gb.com>

This site covers our Range of:

- Water Level Monitors
- Water Level Probes
- Temperature Monitors
- Temperature Probes
- Air Conditioning Fan Control Units
- Vehicle Flashers and Interrupters
- Light Control Units
- Oil Level Monitors
- Oil Level Probes
- Hydraulic Control Units
- Audible Warning Devices
- Reversing Alarms
- Timers
- Vehicle Safety and Security Units
- Digital Speed Switches
- Solenoid Controllers
- Relays, Connectors, Lamps, Switches
- Earth Straps
- Looms and Wiring Harnesses
- Transformer and Coil Winding
- Mechanical Assembly
- Special Purpose Electrical / Electronic Assembly
- Encapsulation and Formal Coating
- Vacuum Formed Parts
- Printed Circuit Board Assembly

**EURO MANUFACTURING AND MARKETING LIMITED**

Euro Works, 11-13 High Street, Wem, Shropshire SY4 5AA, England.

Tel: +44 (0) 1939 235073

Fax: +44 (0) 1939 235074

Email: [sales@eurogroup-gb.com](mailto:sales@eurogroup-gb.com) OR [sales@battery-management-voltage-converter.com](mailto:sales@battery-management-voltage-converter.com)

Web Site: [www.eurogroup-gb.com](http://www.eurogroup-gb.com) OR [www.battery-management-voltage-converter.com](http://www.battery-management-voltage-converter.com)