

E763 7AMP VOLTAGE CONVERTER 12V – 28V

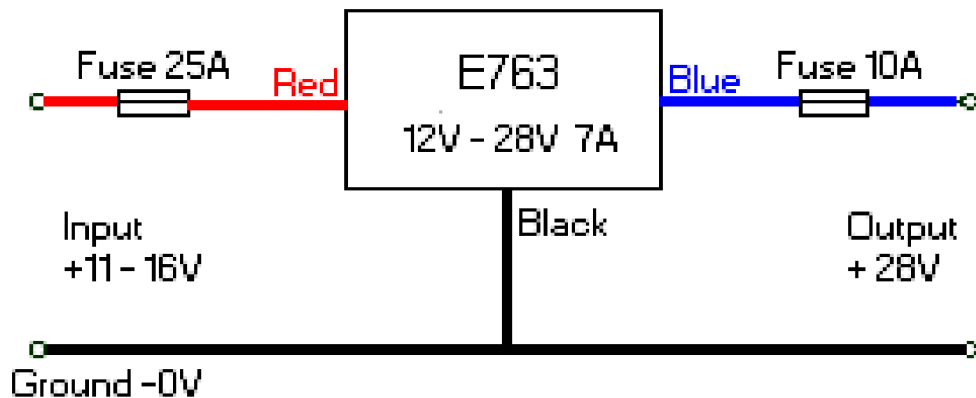
12V – 28V VOLTAGE CONVERTER 7AMP
HIGH SPECIFICATION
MANUFACTURED IN THE UK



- PART NO: E763
- TYPE: SWITCH MODE STEP UP VOLTAGE CONVERTER
- RATING: 7 AMP
- MAX CONTINUOUS O/P CURRENT: 7 AMP
- PEAK OUTPUT CURRENT: 10 AMP
- INPUT VOLTAGE: 11 – 15V DC
- OUTPUT VOLTAGE: 28V DC
- OVERLOAD PROTECTION: EXTERNAL FUSE
- OUTPUT PROTECTED: EXTERNAL FUSE
- POLARITY PROTECTED: YES
- OPERATING TEMPERATURE: - 40 DEG.C TO + 70 DEG.C
- HIGH TEMP PROTECTED: YES
- SHORT CIRCUIT PROTECTION: EXTERNAL FUSE
- EFFICIENCY: > 85%
- LOAD REGULATION: 0.2V
- DIMENSIONS: 215mm X 71mm X 55mm
- FIXING CENTRES: 199mm X 40mm (4 HOLE FIXING)
- HOLE SIZE: 4.5mm
- WEIGHT: 566g
- CONSTRUCTION: ANODISED COOLING PROFILE

MODELS ALSO AVAILABLE: 14AMP / 21AMP / 28AMP / 35AMP / 42AMP / 49AMP / 56AMP

OEM AND TRADE ENQUIRIES WELCOME



**WARNING: SHORTING THE OUTPUT TO GROUND
WHILST THERE IS POWER CONNECTED TO THE
POWER INPUT WILL DAMAGE THE CONVERTER**

EURO MANUFACTURING AND MARKETING LIMITED

Euro Works, 11-13 High Street, Wem, Shropshire SY4 5AA, England.

Tel: +44 (0) 1939 235073

Fax: +44 (0) 1939 235074

Email: sales@eurogroup-gb.com OR sales@battery-management-voltage-converter.com

Web Site: www.eurogroup-gb.com OR www.battery-management-voltage-converter.com

BEFORE INSTALLATION YOU NEED TO PURCHASE:

- 1 X 10A AUTOMOTIVE BLADE FUSE (COLOUR: RED)**
- 1 X 25A AUTOMOTIVE BLADE FUSE (COLOUR: NATURAL)**
- 2 X INLINE FUSE HOLDER (TO TAKE BLADE FUSES)**

RECOMMENDED MINIMUM CABLES SIZES:

- INPUT (RED): 3mm² CONDUCTOR CROSS SECTION (44/0.3mm)**
- OUTPUT (BLUE): 3mm² CONDUCTOR CROSS SECTION (44/0.3mm)**
- GROUND (BLACK): 3mm² CONDUCTOR CROSS SECTION (44/0.3mm)**

INSTALLATION INSTRUCTIONS:

- 1. CONNECT THE BLUE OUTPUT LEAD TO THE +VE CONNECTION ON YOUR 28V EQUIPMENT (FITTING 1 X INLINE FUSE HOLDER WITH 10A BLADE FUSE BETWEEN THE VOLTAGE CONVERTER AND THE 28V EQUIPMENT AS SHOWN ON WIRING DIAGRAM SUPPLIED WITH UNIT)**
- 2. CONNECT THE BLACK LEAD TO GROUND, IE: THE VEHICLE CHASSIS (THIS IS COMMON TO THE INPUT AND OUTPUT AS SHOWN ON THE WIRING DIAGRAM)**
- 3. CONNECT THE RED INPUT LEAD TO YOUR 12V +VE SUPPLY (FITTING 1 X INLINE FUSE HOLDER WITH 25A BLADE FUSE BETWEEN THE VOLTAGE CONVERTER AND THE +VE CONNECTION OF YOUR 12V SUPPLY AS SHOWN ON WIRING DIAGRAM SUPPLIED WITH UNIT)**

IF IN DOUBT, PLEASE CONSULT AN AUTOMOTIVE ELECTRICIAN OR TELEPHONE US ON 01939 235073

WHY NOT VISIT OUR WEBSITES TO VIEW THE OTHER PRODUCTS WE MANUFACTURE:

<http://www.battery-management-voltage-converter.com>

This site covers our:

- Battery Management Systems
- Split Charge Controllers
- DC-DC Battery Chargers
- DC-DC Voltage Converters
- Trailer Voltage Converters
- Battery Status Indicators
- Voltage Sensitive Switches.

<http://www.eurogroup-gb.com>

This site covers our Range of:

- Water Level Monitors
- Water Level Probes
- Temperature Monitors
- Temperature Probes
- Air Conditioning Fan Control Units
- Vehicle Flashers and Interrupters
- Light Control Units
- Oil Level Monitors
- Oil Level Probes
- Hydraulic Control Units
- Audible Warning Devices
- Reversing Alarms
- Timers
- Vehicle Safety and Security Units
- Digital Speed Switches
- Solenoid Controllers
- Relays, Connectors, Lamps, Switches
- Earth Straps
- Looms and Wiring Harnesses
- Transformer and Coil Winding
- Mechanical Assembly
- Special Purpose Electrical / Electronic Assembly
- Encapsulation and Formal Coating
- Vacuum Formed Parts
- Printed Circuit Board Assembly