

E790 45AMP BATTERY CHARGER 24V – 12V

24V – 12V BATTERY CHARGER 45AMP

Charge a 12V Battery from a 24V Battery System

HIGH SPECIFICATION
MANUFACTURED IN THE UK

THE BROWN CONTROL LEAD GIVES YOU THE OPTION TO SWITCH THE BATTERY CHARGER ON AND OFF USING A STANDARD LOW CURRENT SWITCH.

ALTERNATIVELY YOU CAN CONNECT THE BROWN LEAD DIRECTLY TO THE POSITIVE INPUT WHICH WILL ENABLE YOU TO RUN THE BATTERY CHARGER ALL THE TIME.

- PART NO: E790
- TYPE: SWITCH MODE STEP DOWN BATTERY CHARGER
- CHARGING CURRENT: 45 AMP
- INPUT VOLTAGE: 18 – 30V DC
- OUTPUT VOLTAGE: 14V DC
- OVERLOAD PROTECTION: YES
- POLARITY PROTECTED: EXTERNAL FUSE
- HIGH TEMP PROTECTED: YES
- SHORT CIRCUIT PROTECTION: YES
- EFFICIENCY: > 90%
- DIMENSIONS: 320mm X 195mm X 55mm
- FIXING CENTRES: 300mm X 175mm (4 HOLE FIXING)
- HOLE SIZE: 6mm
- WEIGHT: 2495g
- CONSTRUCTION: 3 X E770-MOD3 15A CHARGER MOUNTED ON A SINGLE ALUMINIUM PLATE



WHY NOT VISIT OUR WEBSITES TO VIEW THE OTHER PRODUCTS WE MANUFACTURE:

<http://www.battery-management-voltage-converter.com>

This site covers our:

- Battery Management Systems
- Split Charge Controllers
- DC-DC Battery Chargers
- DC-DC Voltage Converters
- Trailer Voltage Converters
- Battery Status Indicators
- Voltage Sensitive Switches.

<http://www.eurogroup-gb.com>

This site covers our Range of:

- Water Level Monitors
- Water Level Probes
- Temperature Monitors
- Temperature Probes
- Air Conditioning Fan Control Units
- Vehicle Flashers and Interrupters
- Light Control Units
- Oil Level Monitors
- Oil Level Probes
- Hydraulic Control Units
- Audible Warning Devices
- Reversing Alarms
- Timers
- Vehicle Safety and Security Units
- Digital Speed Switches
- Solenoid Controllers
- Relays, Connectors, Lamps, Switches
- Earth Straps
- Looms and Wiring Harnesses
- Transformer and Coil Winding
- Mechanical Assembly
- Special Purpose Electrical / Electronic Assembly
- Encapsulation and Formal Coating
- Vacuum Formed Parts
- Printed Circuit Board Assembly

EURO MANUFACTURING AND MARKETING LIMITED

Euro Works, 11-13 High Street, Wem, Shropshire SY4 5AA, England.

Tel: +44 (0) 1939 235073

Fax: +44 (0) 1939 235074

Email: sales@eurogroup-gb.com OR sales@battery-management-voltage-converter.com

Web Site: www.eurogroup-gb.com OR www.battery-management-voltage-converter.com

BEFORE INSTALLATION YOU NEED TO PURCHASE:
1 X 1A AUTOMOTIVE BLADE FUSE (COLOUR: BLACK)
1 X INLINE FUSE HOLDER (TO TAKE BLADE FUSES)

RECOMMENDED MINIMUM CABLES SIZES:
INPUT (RED): 10.0mm² CONDUCTOR CROSS SECTION (80/0.40mm)
OUTPUT (BLUE): 10.0mm² CONDUCTOR CROSS SECTION (80/0.40mm)
GROUND (BLACK): 10.0mm² CONDUCTOR CROSS SECTION (80/0.40mm)
CONTROL (BROWN)): 1.0mm² CONDUCTOR CROSS SECTION (32/0.2mm)

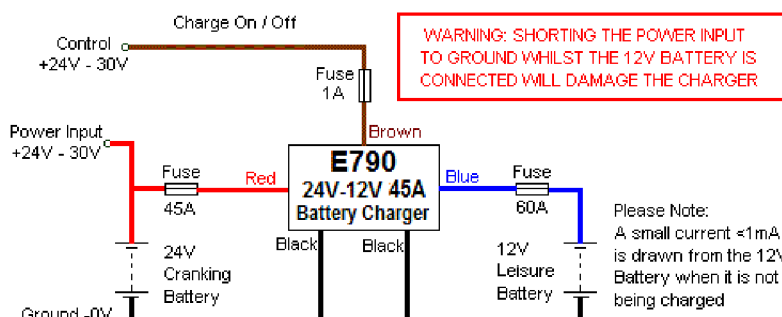
The Battery Charger can be wired in 3 ways:-

Wired as a fully automatic Charger

The Brown Control Wire connection is wired directly to the +ve Connection of the 24V Cranking (Donor) Battery to run the Charger all the time. The Unit automatically controls the maximum charge into the 12V Leisure (Recipient) Battery preventing it from becoming over-charged / damaged.

Wired to only operate when the engine is running

The Brown Control Wire connection is wired to any +ve connection which becomes live when the Ignition is switched on. The Unit automatically controls the maximum charge into the 12V Leisure (Recipient) Battery preventing it from becoming over-charged / damaged.

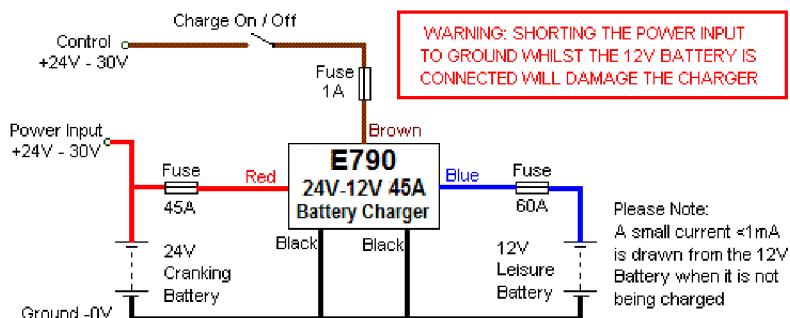


Wired as a manually operated Charger

The Brown Control Wire connection is wired via a Switch to the +ve Connection of the 24V Cranking (Donor) Battery to switch the Charger on and off manually.

In this case the Operator can control when the Battery Charger is switched on or off.

If left on, the Unit will automatically control the maximum charge into the 12V Leisure (Recipient) Battery preventing it from becoming over-charged / damaged.



INSTALLATION INSTRUCTIONS:

1. CONNECT THE BLUE OUTPUT CONNECTION TO THE +VE CONNECTION OF THE 12V LEISURE / AUXILIARY BATTERY
2. CONNECT ONE BLACK CONNECTION TO THE -VE CONNECTION OF THE 12V BATTERY
3. CONNECT ONE BLACK CONNECTION TO GROUND, IE: THE VEHICLE CHASSIS OR TO THE -VE CONNECTION OF THE 24V BATTERY
4. CONNECT THE RED INPUT CONNECTION TO THE +VE CONNECTION OF THE 24V CRANKING BATTERY
5. THE BROWN CONTROL LEAD CONNECTION GIVES YOU THE OPTION TO SWITCH THE BATTERY CHARGER ON AND OFF USING A STANDARD LOW CURRENT SWITCH.
6. ALTERNATIVELY YOU CAN CONNECT THE BROWN LEAD CONNECTION DIRECTLY TO THE POSITIVE INPUT, IE: THE +VE CONNECTION ON THE 24V BATTERY (FITTING 1 X INLINE FUSE HOLDER WITH 1A BLADE FUSE BETWEEN THE 24V BATTERY AND THE BATTERY CHARGER AS SHOWN ON WIRING DIAGRAM SUPPLIED WITH UNIT) WHICH WILL ENABLE YOU TO RUN THE BATTERY CHARGER ALL THE TIME.
7. ALTERNATIVELY YOU CAN CONNECT THE BROWN LEAD DIRECTLY TO ANY +VE CONNECTION WHICH BECOMES LIVE WHEN THE IGNITION IS SWITCHED ON (FITTING 1 X INLINE FUSE HOLDER WITH 1A BLADE FUSE BETWEEN THE +VE 24V CONNECTION AND THE BATTERY CHARGER AS SHOWN ON WIRING DIAGRAM SUPPLIED WITH UNIT) WHICH WILL ENABLE YOU TO RUN THE BATTERY CHARGER ONLY WHEN THE ENGINE IS RUNNING

IF IN DOUBT, PLEASE CONSULT AN AUTOMOTIVE ELECTRICIAN OR TELEPHONE US ON 01939 235073