

E817 6AMP VOLTAGE CONVERTER 72V – 24V

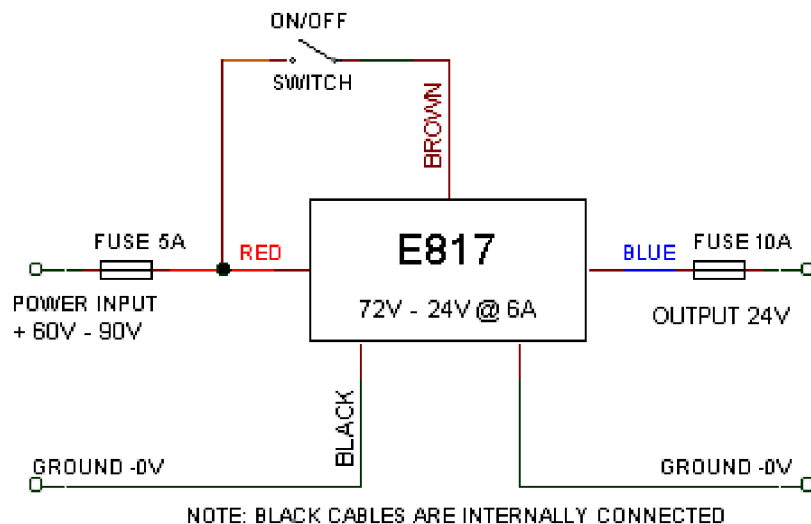
72V – 24V VOLTAGE CONVERTER 6AMP
HIGH SPECIFICATION
MANUFACTURED IN THE UK



- PART NO: E817
- TYPE: SWITCH MODE VOLTAGE DROPPER
- RATING: 6 AMPS
- MAX CONTINUOUS O/P CURRENT: 6 AMPS
- PEAK OUTPUT CURRENT: > 8 AMPS
- INPUT VOLTAGE: 60V – 90V DC
- OUTPUT VOLTAGE: 24V DC
- OVERLOAD PROTECTION: YES
- OUTPUT PROTECTED: YES
- POLARITY PROTECTED: EXTERNAL FUSE
- OPERATING TEMPERATURE: 40 DEG.C TO + 70 DEG.C
- HIGH TEMP PROTECTED: YES
- SHORT CIRCUIT PROTECTION: YES
- OVER VOLTAGE PROTECTION: YES
- EFFICIENCY: > 90%
- LOAD REGULATION: 0.3V
- DIMENSIONS: 155mm X 70mm X 53mm
- FIXING CENTRES: 138mm X 40mm (4 HOLE FIXING)
- HOLE SIZE: 4.5mm
- WEIGHT: 447g
- CONSTRUCTION: ANODISED COOLING PROFILE

MODELS ALSO AVAILABLE: 12AMP / 18AMP / 24AMP / 30AMP / 36AMP / 42AMP / 60AMP

OEM AND TRADE ENQUIRIES WELCOME



EURO MANUFACTURING AND MARKETING LIMITED

Euro Works, 11-13 High Street, Wem, Shropshire SY4 5AA, England.

Tel: +44 (0) 1939 235073

Fax: +44 (0) 1939 235074

Email: sales@eurogroup-gb.com OR sales@battery-management-voltage-converter.com
Web Site: www.eurogroup-gb.com OR www.battery-management-voltage-converter.com

BEFORE INSTALLATION YOU NEED TO PURCHASE:

- 1 X 1A AUTOMOTIVE BLADE FUSE
- 1 X 5A AUTOMOTIVE BLADE FUSE
- 1 X 10A AUTOMOTIVE BLADE FUSE
- 3 X INLINE FUSE HOLDER (TO TAKE BLADE FUSES)

INSTALLATION INSTRUCTIONS:

1. CONNECT THE BLUE OUTPUT LEAD TO THE +VE CONNECTION ON YOUR 24V EQUIPMENT (FITTING 1 X INLINE FUSE HOLDER WITH 10A BLADE FUSE BETWEEN THE VOLTAGE CONVERTER AND THE 24V EQUIPMENT AS SHOWN ON WIRING DIAGRAM SUPPLIED WITH UNIT)
2. CONNECT ONE BLACK LEAD TO THE -VE CONNECTION OF THE 24V EQUIPMENT
3. CONNECT ONE BLACK LEAD TO GROUND, IE: THE VEHICLE CHASSIS OR TO THE -VE CONNECTION OF THE 72V SUPPLY / BATTERY
4. CONNECT THE RED INPUT LEAD TO YOUR 72V +VE SUPPLY / BATTERY (FITTING 1 X INLINE FUSE HOLDER WITH 5A BLADE FUSE BETWEEN THE VOLTAGE CONVERTER AND THE +VE CONNECTION OF YOUR 72V SUPPLY AS SHOWN ON WIRING DIAGRAM SUPPLIED WITH UNIT)
5. THE BROWN CONTROL LEAD GIVES YOU THE OPTION TO SWITCH THE VOLTAGE CONVERTER ON AND OFF USING A STANDARD LOW CURRENT SWITCH.
6. ALTERNATIVELY YOU CAN CONNECT THE BROWN CONTROL LEAD DIRECTLY TO THE POSITIVE INPUT, IE: THE +VE CONNECTION ON THE 72V BATTERY (FITTING 1 X INLINE FUSE HOLDER WITH 1A BLADE FUSE BETWEEN THE 72V BATTERY AND THE VOLTAGE CONVERTER AS SHOWN ON WIRING DIAGRAM SUPPLIED WITH UNIT) WHICH WILL ENABLE YOU TO RUN THE VOLTAGE CONVERTER ALL THE TIME.

IF IN DOUBT, PLEASE CONSULT AN AUTOMOTIVE ELECTRICIAN OR TELEPHONE US ON 01939 235073

WHY NOT VISIT OUR WEBSITES TO VIEW THE OTHER PRODUCTS WE MANUFACTURE:

<http://www.battery-management-voltage-converter.com>

This site covers our:

- Battery Management Systems
- Split Charge Controllers
- DC-DC Battery Chargers
- DC-DC Voltage Converters
- Trailer Voltage Converters
- Battery Status Indicators
- Voltage Sensitive Switches.

<http://www.eurogroup-gb.com>

This site covers our Range of:

- Water Level Monitors
- Water Level Probes
- Temperature Monitors
- Temperature Probes
- Air Conditioning Fan Control Units
- Vehicle Flashers and Interrupters
- Light Control Units
- Oil Level Monitors
- Oil Level Probes
- Hydraulic Control Units
- Audible Warning Devices
- Reversing Alarms
- Timers
- Vehicle Safety and Security Units
- Digital Speed Switches
- Solenoid Controllers
- Relays, Connectors, Lamps, Switches
- Earth Straps
- Looms and Wiring Harnesses
- Transformer and Coil Winding
- Mechanical Assembly
- Special Purpose Electrical / Electronic Assembly
- Encapsulation and Formal Coating
- Vacuum Formed Parts
- Printed Circuit Board Assembly