

WATER LEVEL MONITORS

AQUALARMS

This large Range of Products has been designed for the P.S.V, H.G.V, Military and many other markets. They are considered by many to be the industry standard and have a proven track record of overcoming problems of damaged engines through coolant loss.

This range of Electronic Control Units monitor the Coolant Level via a Stainless Steel Probe located in the radiator or header tank.

Should the coolant fall below a given level, the driver is given immediate audible and / or visual warning and can act accordingly to prevent a costly re-fit or repair.

The Units can be provided with an Audible Warning Device and / or an Indicator Lamp.

Flat Pack units are fully encapsulated with a flame retardant resin system to cope with harsh environments.

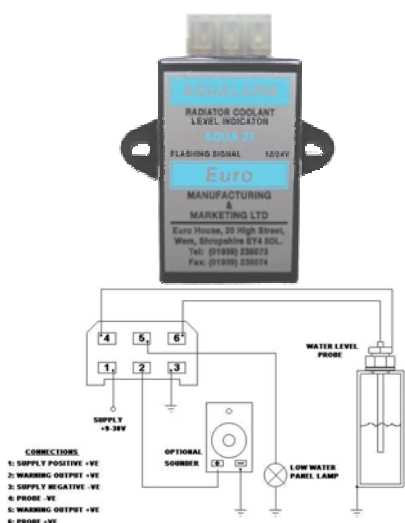
Additional Options:

If required, a Relay can be fitted from Pin2 to Chassis (instead of the Buzzer or from Pin 5 to Chassis (instead of the Lamp) to provide a power switching circuit.

SPECIFICATION:

	FLAT PACK	DIN PACK	DIN PACK WITH VERTICAL BRACKET	DIN PACK WITH HORIZONTAL BRACKET
VOLTAGE	9 – 35 VOLTS	9 – 35 VOLTS	9 – 35 VOLTS	9 – 35 VOLTS
DIMENSIONS	97mm X 81mm X 21mm	74mm X 61mm X 36mm	94mm X 61mm X 36mm	74mm X 91mm X 45mm
WEIGHT	135g	55g	70g	80g
FIXING	2 POINT FIXING 5mm HOLES 65mm FIXING CENTRES	PCB PLUG IN	1 POINT FIXING 5mm HOLE	2 POINT FIXING 6mm HOLES 73mm FIXING CENTRES

FLAT PACK AQUALARMS (FULLY ENCAPSULATED)



PART NO	DESCRIPTION	SIGNAL	DELAY	SELF TEST
E015	AQUA20	CONTINUOUS	✓	✓
E011	AQUA20-SD	CONTINUOUS	✓	×
E017	AQUA21	FLASHING	✓	✓
E018	RAD1	FLASHING	×	×
E068	RAD4	CONTINUOUS	×	×

EURO MANUFACTURING AND MARKETING LIMITED
 Euro Works, 11 – 13 High Street, Wem, Shropshire, SY4 5AA, England.
 Tel: +44 (0) 1939 235073 Fax: +44 (0) 1939 235074
 Email: sales@eurogroup.gb.com Web Site: www.eurogroup.gb.com

WATER LEVEL MONITORS

DIN PACK AQUALARMS



PART NO	DESCRIPTION	SIGNAL	DELAY	SELF TEST
E117	AQUA20-A8	CONTINUOUS	✓	✓
E118	AQUA20-A8-S INTEGRAL AUDIBLE	CONTINUOUS	✓	✓
E095	AQUA21-A8	FLASHING	✓	✓
E132	AQUA21-A8-S INTEGRAL AUDIBLE	FLASHING	✓	✓
E086	RAD1-A8	FLASHING	x	x
E137	RAD1-A8-S INTEGRAL AUDIBLE	FLASHING	x	x
E020	RAD4-A8	CONTINUOUS	x	x
E142	RAD4-A8-S INTEGRAL AUDIBLE	CONTINUOUS	x	x

DIN PACK AQUALARMS WITH VERTICAL BRACKET

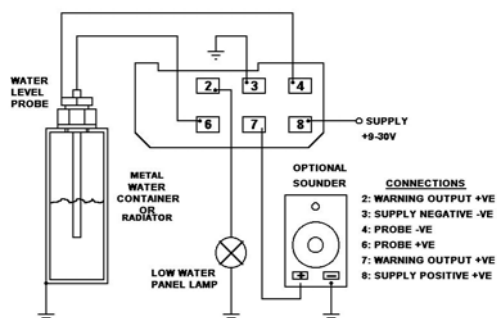


PART NO	DESCRIPTION	SIGNAL	DELAY	SELF TEST
E126	AQUA20-A8-VB	CONTINUOUS	✓	✓
E128	AQUA20-A8-S-VB INTEGRAL AUDIBLE	CONTINUOUS	✓	✓
E130	AQUA21-A8-VB	FLASHING	✓	✓
E133	AQUA21-A8-S-VB INTEGRAL AUDIBLE	FLASHING	✓	✓
E135	RAD1-A8-VB	FLASHING	x	x
E138	RAD1-A8-S-VB INTEGRAL AUDIBLE	FLASHING	x	x
E140	RAD4-A8-VB	CONTINUOUS	x	x
E143	RAD4-A8-S-VB INTEGRAL AUDIBLE	CONTINUOUS	x	x

DIN PACK AQUALARMS WITH HORIZONTAL BRACKET



PART NO	DESCRIPTION	SIGNAL	DELAY	SELF TEST
E127	AQUA20-A8-HB	CONTINUOUS	✓	✓
E129	AQUA20-A8-S-HB INTEGRAL AUDIBLE	CONTINUOUS	✓	✓
E131	AQUA21-A8-HB	FLASHING	✓	✓
E134	AQUA21-A8-S-HB INTEGRAL AUDIBLE	FLASHING	✓	✓
E136	RAD1-A8-HB	FLASHING	x	x
E139	RAD1-A8-S-HB INTEGRAL AUDIBLE	FLASHING	x	x
E141	RAD4-A8-HB	CONTINUOUS	x	x
E144	RAD4-A8-S-HB INTEGRAL AUDIBLE	CONTINUOUS	x	x



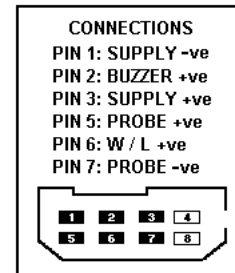
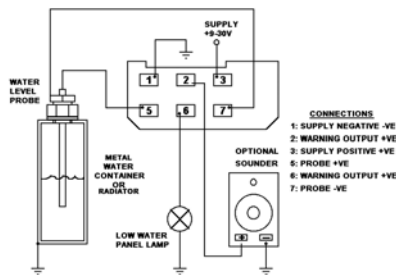
DC WATER LEVEL MONITORS

DC DIN PACK AQUALARMS WITH HORIZONTAL BRACKET

STANDARD



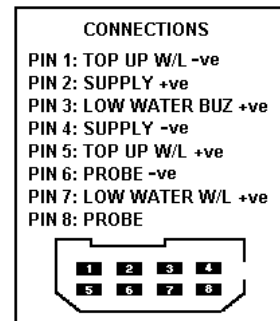
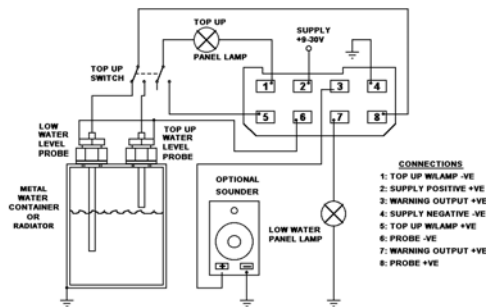
PART NO	DESCRIPTION	SIGNAL	DELAY	SELF TEST
E175	MR4-HB	CONTINUOUS	✓	x



HIGH / LOW LEVEL PROBE



PART NO	DESCRIPTION	SIGNAL	DELAY	SELF TEST
E676	MR4-TP-HB	CONTINUOUS	✓	x



EURO MANUFACTURING AND MARKETING LIMITED
 Euro Works, 11 – 13 High Street, Wem, Shropshire, SY4 5AA, England.
 Tel: +44 (0) 1939 235073 Fax: +44 (0) 1939 235074
 Email: sales@eurogroup.gb.com Web Site: www.eurogroup.gb.com

WATER LEVEL PROBES

This comprehensive range of Probes has been designed for the P.S.V, H.G.V, Military and many other markets

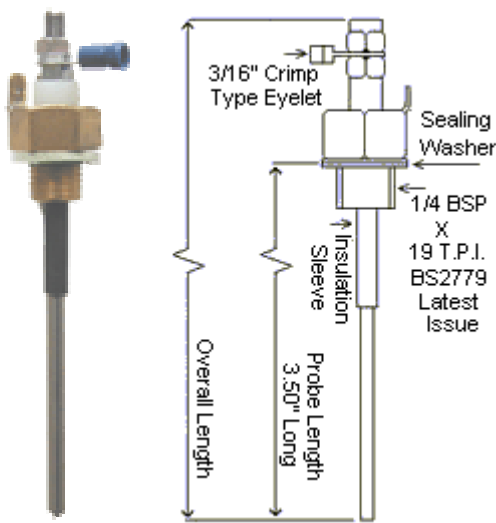
They have been specifically designed to work in conjunction with all our Water Level Monitors.

They are robust, easy to fit and have a proven track record.

A range of stock sizes is available to suit most applications.

Bespoke sizes can be arranged upon request.

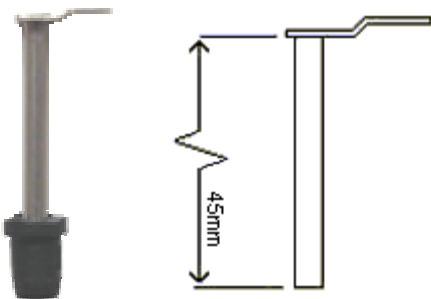
STANDARD 1/4" BSP PROBES – FOR METAL TANKS



EXAMPLE SHOWN: E052 – AP3.50

PART NO	DESCRIPTION	LENGTH	THREAD
E111	AP2.00	2.00" LONG	1/4" BSP
E052	AP3.50	3.50" LONG	1/4" BSP
E054	AP4.00	4.00" LONG	1/4" BSP
E055	AP4.50	4.50" LONG	1/4" BSP
E056	AP5.00	5.00" LONG	1/4" BSP
E057	AP5.25	5.25" LONG	1/4" BSP
E060	AP5.50	5.50" LONG	1/4" BSP
E058	AP6.00	6.00" LONG	1/4" BSP
E059	AP8.25	8.25" LONG	1/4" BSP
E067	AP9.00	9.00" LONG	1/4" BSP
E092	AP10.00	10.00" LONG	1/4" BSP

PUSH IN PROBES – FOR METAL TANKS

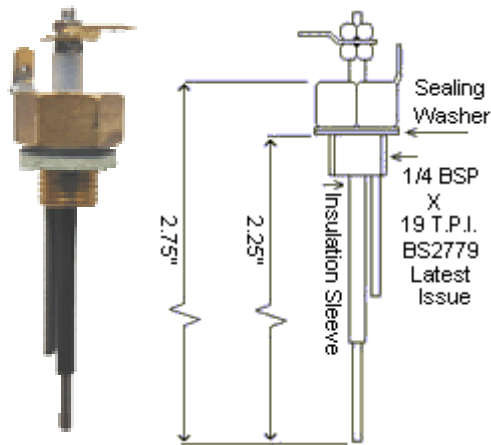


EXAMPLE SHOWN: E164 – AP45

PART NO	DESCRIPTION	LENGTH	THREAD
E074	AP23	23mm LONG	PUSH IN
E164	AP45	45mm LONG	PUSH IN

WATER LEVEL PROBES

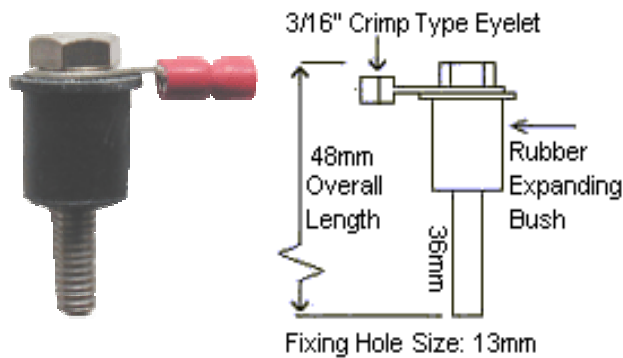
TWIN PROBES – FOR PLASTIC TANKS OR FOR WHERE THE PROBE IS ISOLATED FROM THE CHASSIS



PART NO	DESCRIPTION	LENGTH	THREAD
E050	APTW	2.25" LONG	1/4" BSP
E668	APTW6/9	9.00" LONG	1/4" BSP

EXAMPLE SHOWN: E050 - APTW

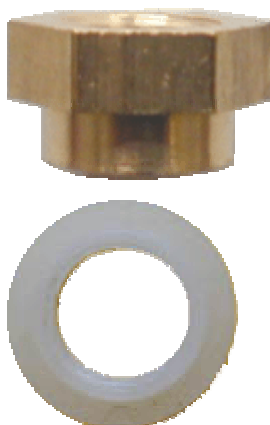
EXPANDING BUSH PROBES



PART NO	DESCRIPTION	LENGTH	THREAD
E188	MR4P	36mm LONG	EXPANDING BUSH
E680	MRP	27mm LONG	EXPANDING BUSH

EXAMPLE SHOWN: E188 – MR4P

BUSHES FOR PLASTIC TANKS AND METAL RADIATORS



PART NO	DESCRIPTION	LENGTH	THREAD
E072	ABN025	NYLON BUSH FOR TWIN PROBE	1/4" BSP
E071	ABB025	BRASS RADIATOR BUSH	1/4" BSP

INVERTED LIQUID LEVEL MONITORS

These Electronic Control Unit monitors the Liquid Level via a Stainless Steel Probe located in a suitable position in the vessel etc.

In contrast to our other Liquid Level Monitors (which alert you to falling liquid level), these Inverted Units are activated when the Liquid Level rises and reaches the Probe.

At this stage a signal is sent from the Monitor to either:-

- A Buzzer / Warning Light to warn of the presence of liquid
- A Relay which can be used to switch low current items up to 70A
- A Relay which can be used to control a Contactor for switching larger currents

The Units can be provided with an Audible Warning Device and / or an Indicator Lamp.

		
PART NO	E1007	E1024
DESCRIPTION	AQUA20 – A8 – INV	AQUA20 – INV
SIGNAL	CONTINUOUS	CONTINUOUS
DELAY	x	x
SELF TEST	✓	✓
TYPE	DIN PACK WITH VERTICAL BRACKET	FLAT PACK
VOLTAGE	9 – 35 VOLTS	9 – 35 VOLTS
DIMENSIONS	94mm X 61mm X 36mm	97mm X 81mm X 21mm
WEIGHT	70g	135g
FIXING	1 POINT FIXING – 5mm HOLE	2 POINT FIXING – 5mm HOLES 65mm FIXING CENTRES

WIRING DIAGRAM SHOWN FOR E1024 FLAT PACK UNIT

