



# LIGHT CONTROL

## LIGHTMINDER RANGE

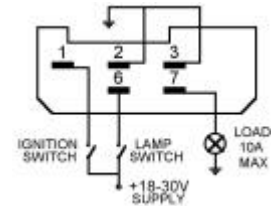
These Products have been designed to overcome the problem of exhausting the Battery when unnecessary Lighting is Left On whilst the Engine is Switched Off.

These Products are ideal for Interior Lights and Headlights.

When the Ignition is turned Off a Timer commences and if the Ignition is not restored within 90 Seconds, the Supply to the Lights being controlled is Switched Off until the Ignition supply is restored.



PART NO	E610	E611
DESCRIPTION	24V LIGHTMINDER	12V LIGHTMINDER
VOLTAGE	18 – 30V	9 – 15V
TIME PERIOD	90 SECOND DELAYED OFF	90 SECOND DELAYED OFF
DIMENSIONS	94mm X 61mm X 36mm	94mm X 61mm X 36mm
WEIGHT	70g	70g
FIXING	1 POINT FIXING 5mm HOLE	1 POINT FIXING 5mm HOLE



EXAMPLE SHOWN: 24V

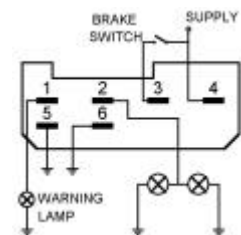
## BRAKE LIGHT BULB FAILURE INDICATOR (CONSTANT MONITOR)

This Unit has been designed to give early warning of Brake Light Failure through failure of Bulbs or Open Circuit Wiring etc.

The Unit constantly monitors the Brake Lights, whether the Brakes are being applied or not, and reports a fault immediately via a Warning Light / Sounder, thereby allowing the Driver to attend to the fault as soon as possible.



PART NO	E613
DESCRIPTION	BRAKE LIGHT BULB FAILURE INDICATOR
VOLTAGE	12V AND 24V
SELF TEST	✓
ENCAPSULATED	✓
DIMENSIONS	94mm X 61mm X 36mm
WEIGHT	70g
FIXING	1 POINT FIXING 5mm HOLE



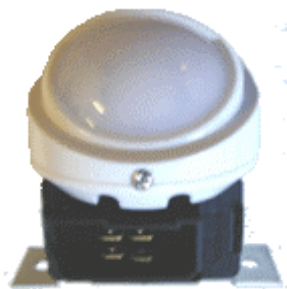
**EURO MANUFACTURING AND MARKETING LIMITED**  
 Euro Works, 11 – 13 High Street, Wem, Shropshire, SY4 5AA, England.  
 Tel: +44 (0) 1939 235073 Fax: +44 (0) 1939 235074  
 Email: sales@eurogroup.gb.com Web Site: www.eurogroup.gb.com

# LIGHT CONTROL

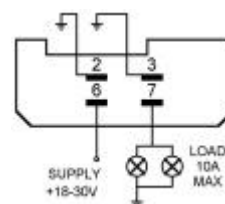
## AUTOMATIC P.I.R. UNIT

This Unit is intended to automatically switch the Internal Lights On and Off in the back of Box Vans, Curtain Sided Vehicles, Trailers etc; thus saving valuable Battery Power by preventing Lights being Left On in error.

The Lights are automatically Switched On in the Rear of the Vehicle as soon as the Driver gains entry and Extinguished upon the Driver leaving by means of an Infra Red Detector.



PART NO	E641	E694
VOLTAGE	24V	12V
DETECTION RANGE	12 METRES	12 METRES
DETECTION ANGLE	90°	90°
DIMENSIONS	74mm X 88mm X 90mm	74mm X 88mm X 90mm
WEIGHT	139g	139g
FIXING	2 POINT FIXING – 6mm HOLES 73mm FIXING CENTRES	2 POINT FIXING – 6mm HOLES 73mm FIXING CENTRES



EXAMPLE SHOWN: 24V

## 12V AND 24V PASSIVE INFRA RED DETECTORS

These dual-element passive infrared intrusion detectors are for use in electronic security systems. They are compact, attractive and easy to install. They can be mounted indoors on a wall or in a corner. They are ideal for commercial, office and residential applications, boats, caravans and motor / mobile homes. The Units detect intrusion by determining changes in infrared energy patterns. They emit no radiation and are harmless to humans and animals. They reduce false alarms to a very low level due to their effective elimination of background noises and nuisance stimuli.

Full fitting and user instructions are provided.



PART NO	E877	E878
VOLTAGE	24V	12V
DETECTION RANGE	12 METRES	12 METRES
DETECTION ANGLE	90°	90°
DIMENSIONS	105MM x 65MM x 50MM (excluding bracket)	105MM x 65MM x 50MM (excluding bracket)

**EURO MANUFACTURING AND MARKETING LIMITED**  
 Euro Works, 11 – 13 High Street, Wem, Shropshire, SY4 5AA, England.  
 Tel: +44 (0) 1939 235073 Fax: +44 (0) 1939 235074  
 Email: sales@eurogroup.gb.com Web Site: www.eurogroup.gb.com

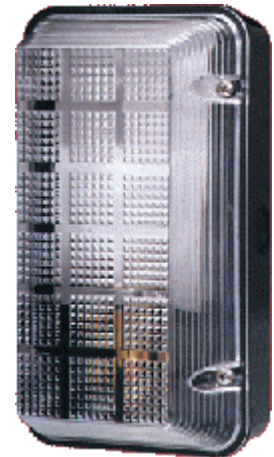
# LIGHT CONTROL

## 12V and 24V DC 27W CFL (Fluorescent) Light Module

27W Energy Saving Bulb in a Vandal Resistant, Waterproof Bulkhead (IP65 Rated).

Ideal for Trailers, Caravans, Mobile Homes, Boats.

The Energy Saving Bulbs used are 3 - 4 times more efficient than ordinary bulbs



<b>PART NO</b>	<b>E901</b>	<b>E903</b>
<b>VOLTAGE</b>	<b>24V</b>	<b>12V</b>
<b>WATTAGE</b>	<b>27W CFL</b>	<b>27W CFL</b>
<b>FITTING</b>	<b>BAYONET CAP</b>	<b>BAYONET CAP</b>
<b>COLOUR</b>	<b>6400K (DAYLIGHT)</b>	<b>6400K (DAYLIGHT)</b>
<b>DIMENSIONS</b>	<b>240mm X 133mm X 102mm</b>	<b>240mm X 133mm X 102mm</b>

## 12V and 24V DC 27W CFL (Fluorescent) Energy Saving Bulbs

Replacement Bulbs for the above Bulkhead, or for your own applications.

These Energy Saving Bulbs used are 3 - 4 times more efficient than ordinary bulbs



<b>PART NO</b>	<b>E904</b>	<b>E905</b>
<b>VOLTAGE</b>	<b>24V</b>	<b>12V</b>
<b>WATTAGE</b>	<b>27W CFL</b>	<b>27W CFL</b>
<b>FITTING</b>	<b>BAYONET CAP</b>	<b>BAYONET CAP</b>
<b>COLOUR</b>	<b>6400K (DAYLIGHT)</b>	<b>6400K (DAYLIGHT)</b>

**EURO MANUFACTURING AND MARKETING LIMITED**  
 Euro Works, 11 – 13 High Street, Wem, Shropshire, SY4 5AA, England.  
 Tel: +44 (0) 1939 235073 Fax: +44 (0) 1939 235074  
 Email: [sales@eurogroup.gb.com](mailto:sales@eurogroup.gb.com) Web Site: [www.eurogroup.gb.com](http://www.eurogroup.gb.com)

# LIGHT CONTROL

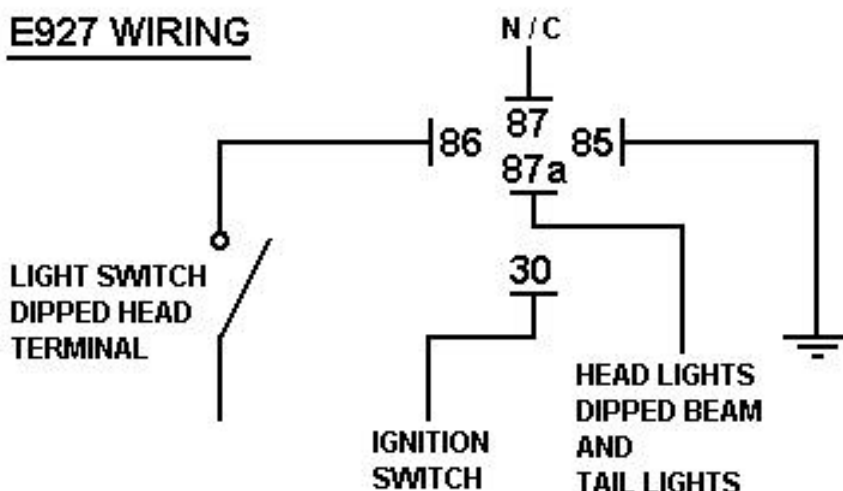
## E927 DAY 12V LIGHT MODULE

THE MODULE IS ACTIVATED IMMEDIATELY WHEN THE IGNITION IS SWITCHED ON, IE: DIPPED HEAD LIGHTS AND TAIL LIGHTS COME ON AUTOMATICALLY FOR DAY TIME DRIVING.

WHEN THE LIGHT SWITCH IS ACTIVATED AND SWITCHED TO THE DIPPED HEAD / MAIN BEAM POSITION, THE DAY – LIGHT MODULE IS DEACTIVATED.



### E927 WIRING



<b>PART NO:</b>	<b>E927</b>
<b>DESCRIPTION</b>	<b>DAY - LIGHT MODULE</b>
<b>VOLTAGE</b>	<b>12V</b>
<b>DIMENSIONS</b>	<b>29mm X 29mm X 58mm inc Tags</b>
	<b>2 x 6.3mm Tags</b>
	<b>3 x 9.5mm Tags</b>
<b>FIXING</b>	<b>1 POINT FIXING</b>
	<b>5.5mm HOLE</b>

**EURO MANUFACTURING AND MARKETING LIMITED**  
 Euro Works, 11 – 13 High Street, Wem, Shropshire SY4 5AA, UK  
 Tel.: +44 (0) 1939 235 073 Fax.: +44 (0) 1939 235 074  
 Email: sales@eurogroup.gb.com Web Site: www.eurogroup.gb.com

# LIGHT CONTROL

## LED DIMMERS

This range of units were designed to dim 12V and 24V LED lamp clusters by 50%.

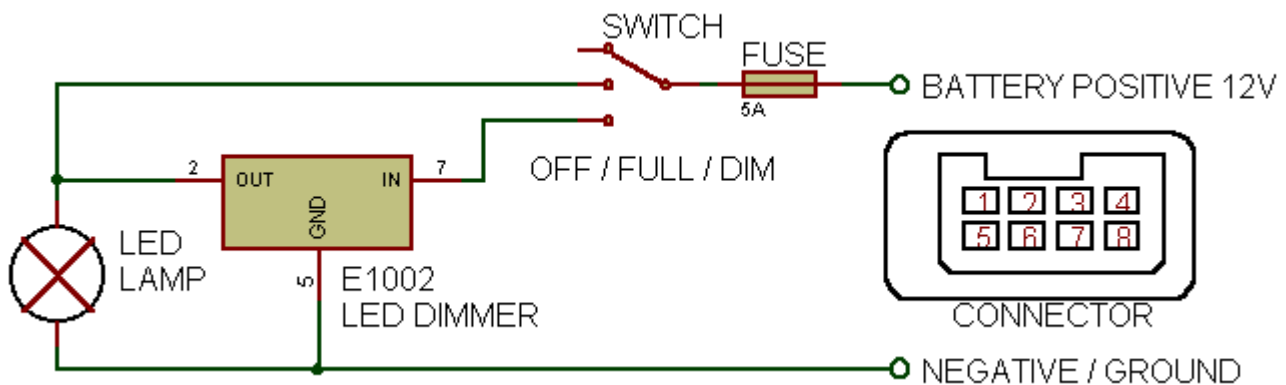
PWM control maintains the same relative spectral intensity as the undimmed lamp and gives very high efficiency typically > 99%.

Note: This unit may not work correctly with switch mode current regulated led clusters these may have a separate input for dimming control.



Part No:	E1002	E1001
Description	12V LED DIMMER	24V LED DIMMER
Supply Voltage (Vin)	10V to 15V	18V to 30V
Supply Current (No Load)	6Ma	4mA
Maximum Lamp Load	5A	5A
Case Style	Din with Vertical Bracket	Din with Vertical Bracket
Dimensions	94 x 61 x 36mm	94 x 61 x 36mm
Weight	60g	60g
Fixing	1 Point Fixing	1 Point Fixing
Hole Size	5mm	5mm

### Wiring Diagram



Example Shown 12V (E1002)

**EURO MANUFACTURING AND MARKETING LIMITED**  
 Euro Works, 11 – 13 High Street, Wem, Shropshire SY4 5AA, UK  
 Tel.: +44 (0) 1939 235 073 Fax.: +44 (0) 1939 235 074  
 Email: sales@eurogroup.gb.com Web Site: www.eurogroup.gb.com

# LIGHT CONTROL

## E1039 24V 300W LIGHT CONTROL UNIT

This Unit was designed to drive 24V Halogen Spot Lamps

These lamps are very susceptible to variations in input voltages, over voltages can destroy the lamp.

When the input voltage rises above 24V the Unit provides the lamp with constant power, thus prolonging lamp life.

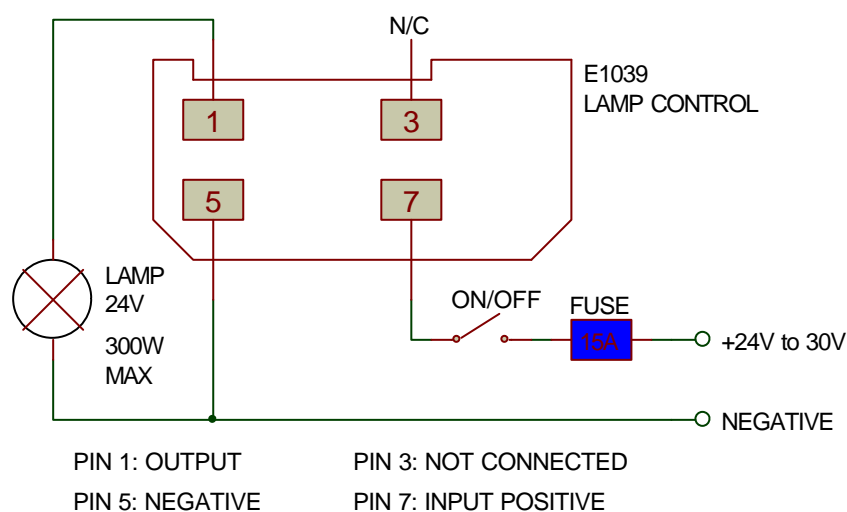
This Unit is also suitable for the Flood Lights on Fire Appliance Platforms.



### Specification:

<b>Part Number</b>	<b>E1039</b>
<b>Description</b>	<b>24V 300W Light Control Unit</b>
<b>Supply Voltage (Vin)</b>	<b>24V to 30V</b>
<b>Supply Current</b> V in = 24V, No Load	<b>&lt; 1mA</b>
<b>Output Power (Maximum)</b> V in = 25V to 30V	<b>300W</b>
<b>Case Style</b>	<b>Din with vertical Bracket</b>
<b>Dimensions</b>	<b>94 x 61 x 36mm</b>
<b>Weight</b>	<b>72g</b>
<b>Fixing</b>	<b>1 Point Fixing</b>
<b>Hole Size</b>	<b>6mm</b>

### Wiring diagram:



**EURO MANUFACTURING AND MARKETING LIMITED**  
**Euro Works, 11 – 13 High Street, Wem, Shropshire SY4 5AA, England.**  
**Tel.: +44 (0) 1939 235 073      Fax.: +44 (0) 1939 235 074**  
**Email: sales@eurogroup.gb.com      Web Site: www.eurogroup.gb.com**