

E1006 4AMP VOLTAGE CONVERTER 24V – 12V

UK – TACT – 003

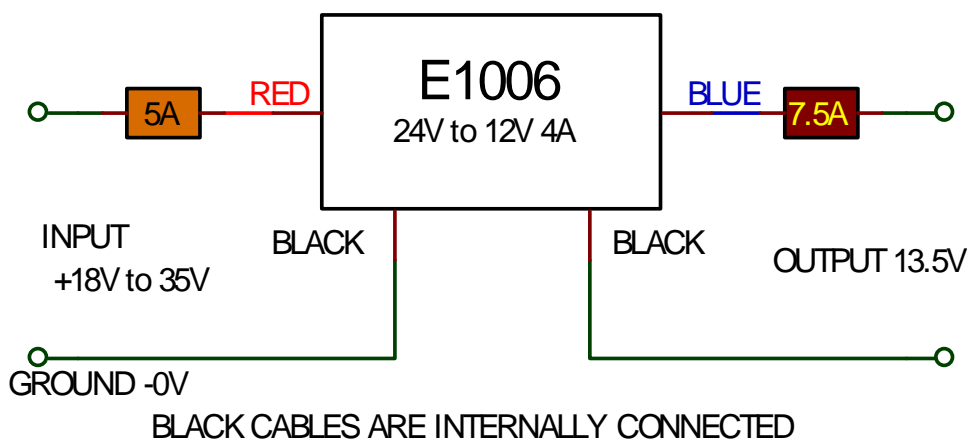
24V TO 12V VOLTAGE CONVERTER 4AMP
HIGH SPECIFICATION
MANUFACTURED IN THE UK



- PART NO: E1006
- TYPE: SWITCH MODE STEP DOWN VOLTAGE CONVERTER
- RATING: 4 AMP
- MAX CONTINUOUS O/P CURRENT: 4 AMP
- PEAK OUTPUT CURRENT: > 5 AMP
- INPUT VOLTAGE: 18 TO 35V DC
- OUTPUT VOLTAGE: 13.5V DC
- OVERLOAD PROTECTION: YES
- OUTPUT PROTECTED: YES
- POLARITY PROTECTED: EXTERNAL FUSES (Input = 5A / Output = 7.5A)
- OPERATING TEMPERATURE: - 40 DEG.C TO + 70 DEG.C
- HIGH TEMP PROTECTED: YES
- SHORT CIRCUIT PROTECTION: YES
- OVER VOLTAGE PROTECTION: YES
- EFFICIENCY: > 90%
- LOAD REGULATION (V in = 26V, I out 0.25A to 4.0A): 0.1V
- LINE REGULATION (V in = 20V to 30V, Iout = 3A): 0.05V
- DIMENSIONS: 105mm X 70mm X 53mm
- FIXING CENTRES: 89mm X 40mm (4 HOLE FIXING)
- HOLE SIZE: 4 x Ø 5.5mm Holes
- WEIGHT: 260g
- CONSTRUCTION: ANODISED COOLING PROFILE

MODELS ALSO AVAILABLE: 8AMP / 12AMP

OEM AND TRADE ENQUIRIES WELCOME



EURO MANUFACTURING AND MARKETING LIMITED

Euro Works, 11-13 High Street, Wem, Shropshire SY4 5AA, England.

Tel: +44 (0) 1939 235073

Fax: +44 (0) 1939 235074

Email: sales@eurogroup-gb.com OR sales@battery-management-voltage-converter.com

Web Site: www.eurogroup-gb.com OR www.battery-management-voltage-converter.com

BEFORE INSTALLATION YOU NEED TO PURCHASE:

- 1 X 5A AUTOMOTIVE BLADE FUSE (COLOUR: TAN)
- 1 X 7.5A AUTOMOTIVE BLADE FUSE (COLOUR: BROWN)
- 2 X INLINE FUSE HOLDER (TO TAKE BLADE FUSES)

INSTALLATION INSTRUCTIONS:

1. CONNECT THE BLUE OUTPUT LEAD TO THE +VE CONNECTION ON YOUR 12V EQUIPMENT (FITTING 1 X INLINE FUSE HOLDER WITH 7.5A BLADE FUSE BETWEEN THE VOLTAGE CONVERTER AND THE 12V EQUIPMENT AS SHOWN ON WIRING DIAGRAM SUPPLIED WITH UNIT)
2. CONNECT ONE BLACK LEAD TO THE -VE CONNECTION OF THE 12V EQUIPMENT
3. CONNECT ONE BLACK LEAD TO GROUND, IE: THE VEHICLE CHASSIS OR TO THE -VE CONNECTION OF THE 24V SUPPLY / BATTERY
4. CONNECT THE RED INPUT LEAD TO YOUR 24V +VE SUPPLY / BATTERY (FITTING 1 X INLINE FUSE HOLDER WITH 5A BLADE FUSE BETWEEN THE VOLTAGE CONVERTER AND THE +VE CONNECTION OF YOUR 24V SUPPLY AS SHOWN ON WIRING DIAGRAM SUPPLIED WITH UNIT)

IF IN DOUBT, PLEASE CONSULT AN AUTOMOTIVE ELECTRICIAN OR TELEPHONE US ON 01939 235073

WHY NOT VISIT OUR WEBSITES TO VIEW THE OTHER PRODUCTS WE MANUFACTURE:

<http://www.battery-management-voltage-converter.com>

This site covers our:

- Battery Management Systems
- Split Charge Controllers
- DC-DC Battery Chargers
- DC-DC Voltage Converters
- Trailer Voltage Converters
- Battery Status Indicators
- Voltage Sensitive Switches.

<http://www.eurogroup-gb.com>

This site covers our Range of:

- Water Level Monitors
- Water Level Probes
- Temperature Monitors
- Temperature Probes
- Air Conditioning Fan Control Units
- Vehicle Flashers and Interrupters
- Light Control Units
- Oil Level Monitors
- Oil Level Probes
- Hydraulic Control Units
- Audible Warning Devices
- Reversing Alarms
- Timers
- Vehicle Safety and Security Units
- Digital Speed Switches
- Solenoid Controllers
- Relays, Connectors, Lamps, Switches
- Earth Straps
- Looms and Wiring Harnesses
- Transformer and Coil Winding
- Mechanical Assembly
- Special Purpose Electrical / Electronic Assembly
- Encapsulation and Formal Coating
- Vacuum Formed Parts
- Printed Circuit Board Assembly

EURO MANUFACTURING AND MARKETING LIMITED

Euro Works, 11-13 High Street, Wem, Shropshire SY4 5AA, England.

Tel: +44 (0) 1939 235073

Fax: +44 (0) 1939 235074

Email: sales@eurogroup-gb.com OR sales@battery-management-voltage-converter.com

Web Site: www.eurogroup-gb.com OR www.battery-management-voltage-converter.com