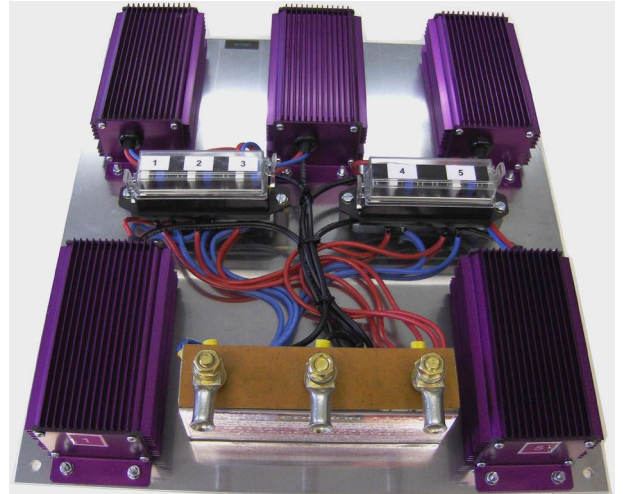


# E1136 50AMP VOLTAGE CONVERTER 12V – 24V

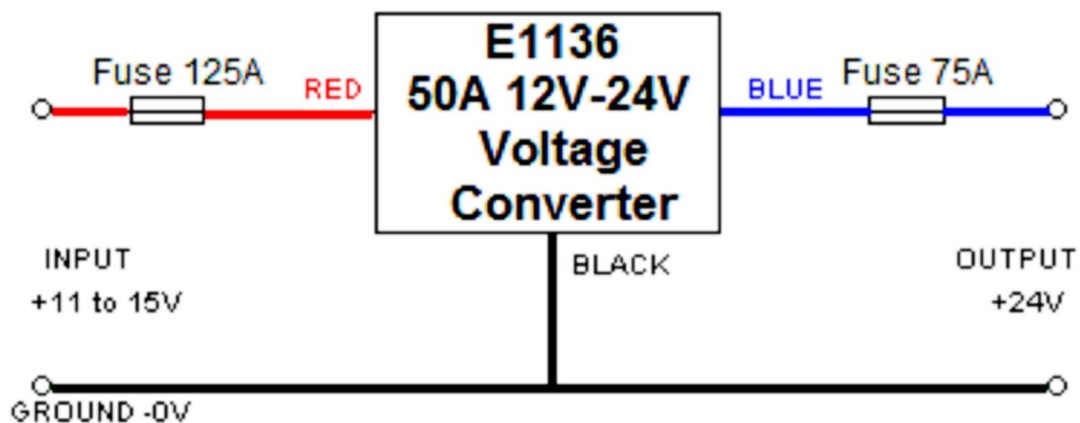
12V TO 24V VOLTAGE CONVERTER 50AMP  
HIGH SPECIFICATION  
MANUFACTURED IN THE UK

- PART NO: E1136
- TYPE: SWITCH MODE STEP UP VOLTAGE CONVERTER
- RATING: 50 AMP
- MAX CONTINUOUS O/P CURRENT: 50 AMP
- PEAK OUTPUT CURRENT: 60 AMP
- INPUT VOLTAGE: 12 TO 15V DC
- OUTPUT VOLTAGE: 24V DC
- OVERLOAD PROTECTION: EXTERNAL FUSE
- OUTPUT PROTECTED: EXTERNAL FUSE
- POLARITY PROTECTED: YES
- OPERATING TEMPERATURE: - 40 DEG.C TO + 70 DEG.C
- HIGH TEMP PROTECTED: YES
- SHORT CIRCUIT PROTECTION: EXTERNAL FUSE
- EFFICIENCY: > 85%
- LOAD REGULATION: 0.3V
- DIMENSIONS: 380mm X 355mm X 90mm
- 5 X E622 (10A) MOUNTED ON A SINGLE ALUMINIUM PLATE



MODELS ALSO AVAILABLE: 10A / 20A / 30A / 40A / 60A / 70A / 80A / 90A / 100A

OEM AND TRADE ENQUIRIES WELCOME



**WARNING: SHORTING THE OUTPUT TO GROUND  
WHILST THERE IS POWER CONNECTED TO THE  
POWER INPUT WILL DAMAGE THE CONVERTER.**

EURO MANUFACTURING AND MARKETING LIMITED  
Euro Works, 11-13 High Street, Wem, Shropshire SY4 5AA, England.  
Tel: +44 (0) 1939 235073 Fax: +44 (0) 1939 235074

Email: [sales@eurogroup-gb.com](mailto:sales@eurogroup-gb.com) OR [sales@battery-management-voltage-converter.com](mailto:sales@battery-management-voltage-converter.com)  
Web Site: [www.eurogroup-gb.com](http://www.eurogroup-gb.com) OR [www.battery-management-voltage-converter.com](http://www.battery-management-voltage-converter.com)

## BEFORE INSTALLATION YOU NEED TO PURCHASE:

### RECOMMENDED MINIMUM CABLES SIZES:

INPUT (RED): 35mm<sup>2</sup> CONDUCTOR CROSS SECTION (451/0.3mm)

OUTPUT (BLUE): 35mm<sup>2</sup> CONDUCTOR CROSS SECTION (451/0.3mm)

GROUND (BLACK): 35mm<sup>2</sup> CONDUCTOR CROSS SECTION (451/0.3mm)

## INSTALLATION INSTRUCTIONS:

1. CONNECT THE BLUE OUTPUT LEAD CONNECTION TO THE +VE CONNECTION ON YOUR 24V EQUIPMENT
2. CONNECT THE BLACK LEAD CONNECTION TO GROUND, IE: THE VEHICLE CHASSIS (THIS IS COMMON TO THE INPUT AND OUTPUT AS SHOWN ON THE WIRING DIAGRAM)
3. CONNECT THE RED INPUT LEAD CONNECTION TO YOUR 12V +VE SUPPLY

IF IN DOUBT, PLEASE CONSULT AN AUTOMOTIVE ELECTRICIAN OR TELEPHONE US ON 01939 235073

---

## WHY NOT VISIT OUR WEBSITES TO VIEW THE OTHER PRODUCTS WE MANUFACTURE:

<http://www.battery-management-voltage-converter.com>

This site covers our:

- Battery Management Systems
- Split Charge Controllers
- DC-DC Battery Chargers
- DC-DC Voltage Converters
- Trailer Voltage Converters
- Battery Status Indicators
- Voltage Sensitive Switches.

<http://www.eurogroup-gb.com>

This site covers our Range of:

- Water Level Monitors
- Water Level Probes
- Temperature Monitors
- Temperature Probes
- Air Conditioning Fan Control Units
- Vehicle Flashers and Interrupters
- Light Control Units
- Oil Level Monitors
- Oil Level Probes
- Hydraulic Control Units
- Audible Warning Devices
- Reversing Alarms
- Timers
- Vehicle Safety and Security Units
- Digital Speed Switches
- Solenoid Controllers
- Relays, Connectors, Lamps, Switches
- Earth Straps
- Looms and Wiring Harnesses
- Transformer and Coil Winding
- Mechanical Assembly
- Special Purpose Electrical / Electronic Assembly
- Encapsulation and Formal Coating
- Vacuum Formed Parts
- Printed Circuit Board Assembly

### EURO MANUFACTURING AND MARKETING LIMITED

Euro Works, 11-13 High Street, Wem, Shropshire SY4 5AA, England.

Tel: +44 (0) 1939 235073

Fax: +44 (0) 1939 235074

Email: [sales@eurogroup-gb.com](mailto:sales@eurogroup-gb.com) OR [sales@battery-management-voltage-converter.com](mailto:sales@battery-management-voltage-converter.com)

Web Site: [www.eurogroup-gb.com](http://www.eurogroup-gb.com) OR [www.battery-management-voltage-converter.com](http://www.battery-management-voltage-converter.com)