

E622 10AMP VOLTAGE CONVERTER 12V – 24V

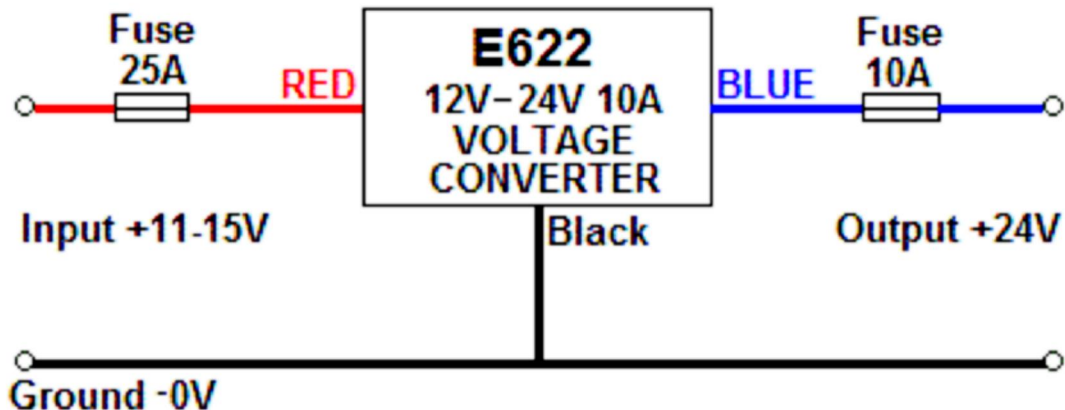
12V – 24V VOLTAGE CONVERTER 10AMP
HIGH SPECIFICATION
MANUFACTURED IN THE UK



- PART NO: E622 (AVC12)
- TYPE: SWITCH MODE STEP UP VOLTAGE CONVERTER
- RATING: 10 AMP
- MAX CONTINUOUS O/P CURRENT: 10 AMP
- PEAK OUTPUT CURRENT: 12 AMP
- INPUT VOLTAGE: 11 – 15V DC
- OUTPUT VOLTAGE: 24V DC
- OVERLOAD PROTECTION: EXTERNAL FUSE
- OUTPUT PROTECTED: EXTERNAL FUSE
- POLARITY PROTECTED: YES
- OPERATING TEMPERATURE: - 40 DEG.C TO + 70 DEG.C
- HIGH TEMP PROTECTED: YES
- SHORT CIRCUIT PROTECTION: EXTERNAL FUSE
- EFFICIENCY: > 85%
- LOAD REGULATION: 0.3V
- DIMENSIONS: 155mm X 70mm X 53mm
- FIXING CENTRES: 138mm X 40mm (4 HOLE FIXING)
- HOLE SIZE: 4.5mm
- WEIGHT: 447g
- CONSTRUCTION: ANODISED COOLING PROFILE

MODELS ALSO AVAILABLE: 20AMP / 30AMP / 40AMP / 50AMP / 60AMP / 70AMP / 80AMP

OEM AND TRADE ENQUIRIES WELCOME



**WARNING: SHORTING THE OUTPUT TO GROUND
WHILST THERE IS POWER CONNECTED TO THE
POWER INPUT WILL DAMAGE THE CONVERTER**

EURO MANUFACTURING AND MARKETING LIMITED

Euro Works, 11-13 High Street, Wem, Shropshire SY4 5AA, England.

Tel: +44 (0) 1939 235073

Fax: +44 (0) 1939 235074

Email: sales@eurogroup-gb.com OR sales@battery-management-voltage-converter.com

Web Site: www.eurogroup-gb.com OR www.battery-management-voltage-converter.com

BEFORE INSTALLATION YOU NEED TO PURCHASE:

- 1 X 10A AUTOMOTIVE BLADE FUSE (COLOUR: RED)
- 1 X 25A AUTOMOTIVE BLADE FUSE (COLOUR: NATURAL)
- 2 X INLINE FUSE HOLDER (TO TAKE BLADE FUSES)

RECOMMENDED MINIMUM CABLES SIZES:

- INPUT (RED): 3mm² CONDUCTOR CROSS SECTION (44/0.3mm)
- OUTPUT (BLUE): 3mm² CONDUCTOR CROSS SECTION (44/0.3mm)
- GROUND (BLACK) : 3mm² CONDUCTOR CROSS SECTION (44/0.3mm)

INSTALLATION INSTRUCTIONS:

1. CONNECT THE BLUE OUTPUT LEAD TO THE +VE CONNECTION ON YOUR 24V EQUIPMENT (FITTING 1 X INLINE FUSE HOLDER WITH 10A BLADE FUSE BETWEEN THE VOLTAGE CONVERTER AND THE 24V EQUIPMENT AS SHOWN ON WIRING DIAGRAM SUPPLIED WITH UNIT)
2. CONNECT THE BLACK LEAD TO GROUND, IE: THE VEHICLE CHASSIS (THIS IS COMMON TO THE INPUT AND OUTPUT AS SHOWN ON THE WIRING DIAGRAM)
3. CONNECT THE RED INPUT LEAD TO YOUR 12V +VE SUPPLY (FITTING 1 X INLINE FUSE HOLDER WITH 25A BLADE FUSE BETWEEN THE VOLTAGE CONVERTER AND THE +VE CONNECTION OF YOUR 12V SUPPLY AS SHOWN ON WIRING DIAGRAM SUPPLIED WITH UNIT)

IF IN DOUBT, PLEASE CONSULT AN AUTOMOTIVE ELECTRICIAN OR TELEPHONE US ON 01939 235073

WHY NOT VISIT OUR WEBSITES TO VIEW THE OTHER PRODUCTS WE MANUFACTURE:

<http://www.battery-management-voltage-converter.com>

This site covers our:

- Battery Management Systems
- Split Charge Controllers
- DC-DC Battery Chargers
- DC-DC Voltage Converters
- Trailer Voltage Converters
- Battery Status Indicators
- Voltage Sensitive Switches.

<http://www.eurogroup-gb.com>

This site covers our Range of:

- Water Level Monitors
- Water Level Probes
- Temperature Monitors
- Temperature Probes
- Air Conditioning Fan Control Units
- Vehicle Flashers and Interrupters
- Light Control Units
- Oil Level Monitors
- Oil Level Probes
- Hydraulic Control Units
- Audible Warning Devices
- Reversing Alarms
- Timers
- Vehicle Safety and Security Units
- Digital Speed Switches
- Solenoid Controllers
- Relays, Connectors, Lamps, Switches
- Earth Straps
- Looms and Wiring Harnesses
- Transformer and Coil Winding
- Mechanical Assembly
- Special Purpose Electrical / Electronic Assembly
- Encapsulation and Formal Coating
- Vacuum Formed Parts
- Printed Circuit Board Assembly

EURO MANUFACTURING AND MARKETING LIMITED

Euro Works, 11-13 High Street, Wem, Shropshire SY4 5AA, England.

Tel: +44 (0) 1939 235073

Fax: +44 (0) 1939 235074

Email: sales@eurogroup-gb.com OR sales@battery-management-voltage-converter.com

Web Site: www.eurogroup-gb.com OR www.battery-management-voltage-converter.com