

# E941 30AMP VOLTAGE CONVERTER 24V – 12V

24V TO 12V VOLTAGE CONVERTER 30AMP  
HIGH SPECIFICATION  
MANUFACTURED IN THE UK

- PART NO: E941
- TYPE: SWITCH MODE STEP DOWN VOLTAGE CONVERTER
- RATING: 30 AMP
- MAX CONTINUOUS O/P CURRENT: 30 AMP
- PEAK OUTPUT CURRENT: 40 AMP
- INPUT VOLTAGE: 18 TO 30V DC
- OUTPUT VOLTAGE: 13.5V DC
- OVERLOAD PROTECTION: YES
- OUTPUT PROTECTED: YES
- POLARITY PROTECTED: YES
- OPERATING TEMPERATURE: - 40 DEG.C TO + 70 DEG.C
- HIGH TEMP PROTECTED: YES
- SHORT CIRCUIT PROTECTION: YES
- OVER VOLTAGE PROTECTION: YES
- EFFICIENCY: > 90%
- LOAD REGULATION: 0.3V
- DIMENSIONS: 215mm X 100mm X 75mm
- FIXING CENTRES: 70mm X 200mm
- HOLE SIZE: 4.5mm
- WEIGHT: 1150g
- CONSTRUCTION: ANODISED COOLING PROFILE (TWIN)

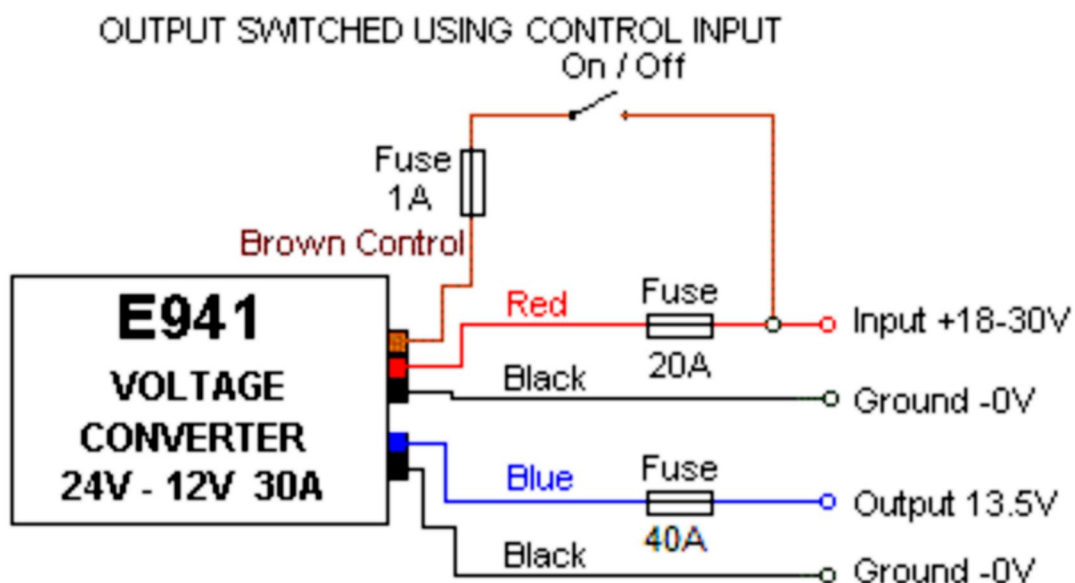


FRONT VIEW

REAR VIEW

MODELS ALSO AVAILABLE: 15AMP / 45AMP / 60AMP / 75AMP / 90AMP

OEM AND TRADE ENQUIRIES WELCOME



EURO MANUFACTURING AND MARKETING LIMITED

Euro Works, 11-13 High Street, Wem, Shropshire SY4 5AA, England.

Tel: +44 (0) 1939 235073

Fax: +44 (0) 1939 235074

Email: [sales@eurogroup-gb.com](mailto:sales@eurogroup-gb.com) OR [sales@battery-management-voltage-converter.com](mailto:sales@battery-management-voltage-converter.com)

Web Site: [www.eurogroup-gb.com](http://www.eurogroup-gb.com) OR [www.battery-management-voltage-converter.com](http://www.battery-management-voltage-converter.com)

**BEFORE INSTALLATION YOU NEED TO PURCHASE:**

- 1 X 1A AUTOMOTIVE BLADE FUSE (COLOUR: BLACK)
- 1 X 20A AUTOMOTIVE BLADE FUSE (COLOUR: YELLOW)
- 1 X 40A AUTOMOTIVE BLADE FUSE (COLOUR: GREEN)
- 3 X INLINE FUSE HOLDER (TO TAKE BLADE FUSES)

**INSTALLATION INSTRUCTIONS:**

1. CONNECT THE BLUE OUTPUT CONNECTION TO THE +VE CONNECTION ON YOUR 12V EQUIPMENT (FITTING 1 X INLINE FUSE HOLDER WITH 40A BLADE FUSE BETWEEN THE VOLTAGE CONVERTER AND THE 12V EQUIPMENT AS SHOWN ON WIRING DIAGRAM SUPPLIED WITH UNIT)
2. CONNECT ONE BLACK CONNECTION TO THE -VE CONNECTION OF THE 12V EQUIPMENT
3. CONNECT ONE BLACK CONNECTION TO GROUND, IE: THE VEHICLE CHASSIS OR TO THE -VE CONNECTION OF THE 24V SUPPLY / BATTERY
4. CONNECT THE RED INPUT CONNECTION TO YOUR 24V +VE SUPPLY / BATTERY (FITTING 1 X INLINE FUSE HOLDER WITH 20A BLADE FUSE BETWEEN THE VOLTAGE CONVERTER AND THE +VE CONNECTION OF YOUR 24V SUPPLY AS SHOWN ON WIRING DIAGRAM SUPPLIED WITH UNIT)
5. THE BROWN CONTROL CONNECTION GIVES YOU THE OPTION TO SWITCH THE VOLTAGE CONVERTER ON AND OFF USING A STANDARD LOW CURRENT SWITCH.
6. ALTERNATIVELY YOU CAN CONNECT THE BROWN CONTROL CONNECTION DIRECTLY TO THE POSITIVE INPUT, IE: THE +VE CONNECTION ON THE 24V BATTERY (FITTING 1 X INLINE FUSE HOLDER WITH 1A BLADE FUSE BETWEEN THE 24V BATTERY AND THE VOLTAGE CONVERTER AS SHOWN ON WIRING DIAGRAM SUPPLIED WITH UNIT) WHICH WILL ENABLE YOU TO RUN THE VOLTAGE CONVERTER ALL THE TIME.

IF IN DOUBT, PLEASE CONSULT AN AUTOMOTIVE ELECTRICIAN OR TELEPHONE US ON 01939 235073

---

**WHY NOT VISIT OUR WEBSITES TO VIEW THE OTHER PRODUCTS WE MANUFACTURE:**

<http://www.battery-management-voltage-converter.com>

This site covers our:

- Battery Management Systems
- Split Charge Controllers
- DC-DC Battery Chargers
- DC-DC Voltage Converters
- Trailer Voltage Converters
- Battery Status Indicators
- Voltage Sensitive Switches.

<http://www.eurogroup-gb.com>

This site covers our Range of:

- Water Level Monitors
- Water Level Probes
- Temperature Monitors
- Temperature Probes
- Air Conditioning Fan Control Units
- Vehicle Flashers and Interrupters
- Light Control Units
- Oil Level Monitors
- Oil Level Probes
- Hydraulic Control Units
- Audible Warning Devices
- Reversing Alarms
- Timers
- Vehicle Safety and Security Units
- Digital Speed Switches
- Solenoid Controllers
- Relays, Connectors, Lamps, Switches
- Earth Straps
- Looms and Wiring Harnesses
- Transformer and Coil Winding
- Mechanical Assembly
- Special Purpose Electrical / Electronic Assembly
- Encapsulation and Formal Coating
- Vacuum Formed Parts
- Printed Circuit Board Assembly